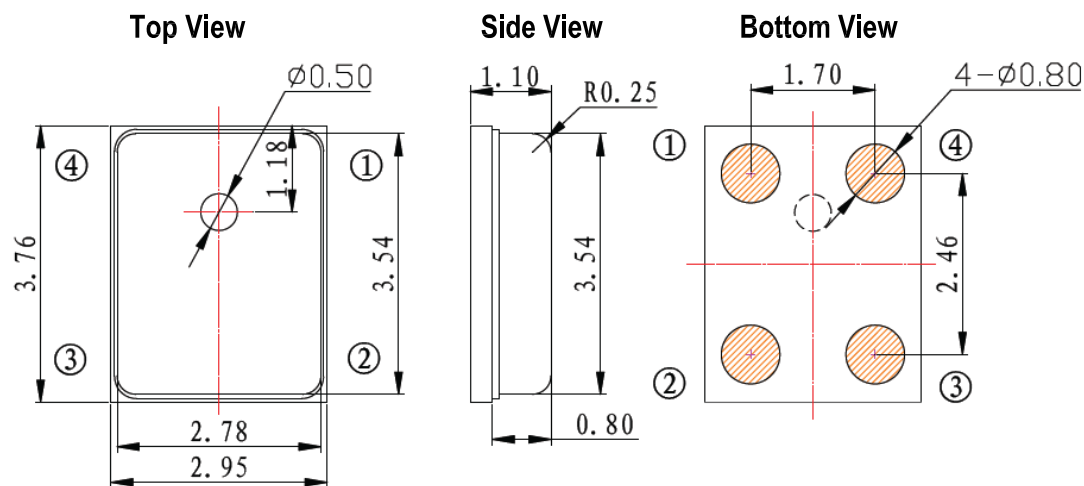


### Specification of Anlog MEMS Microphone

#### 1. Mechanical Specifications

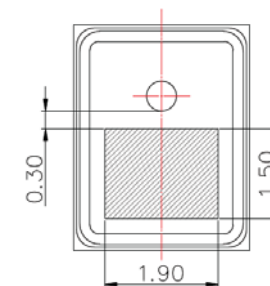


Item	Dimension	Tolerance	Units
Length(L)	3.76	±0.10	mm
Width(W)	2.95	±0.10	mm
Height(H)	1.10	±0.10	mm
Acoustic port(AP)	Φ0.50	±0.10	mm

Pin Output	
Pin#	Function
1	V <sub>DD</sub>
2	GND
3	GND
4	Output

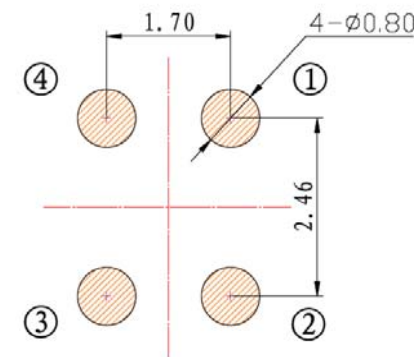
Note:  
 All dimensions are in millimeter(mm).  
 Tolerance: +/-0.1mm unless otherwise specified.  
 Weight: 0.024±10%g

#### 2. Vacuum nozzle pickup location



Recommended area for vacuum nozzle pickup location

#### 3. Example solder stencil pattern



PROJECTION		<b>RDI</b> Research Develop Innovate RDI, Inc. 333 North Bedford Road, Suite 135, Mount Kisco, NY 10549	
SCALE	N/A	TITLE Analog MEMS microphone cartridge, top port, SMT mount, RoHS Compliant	
TOLERANCE EXCEPT AS NOTED	DR. Tina	DATE 11/04/20	REF. P/N: RMM3729AT-42NL
DEC. INCHES N/A	CK. BM	PRE-MI	DRAWING NO. 5158
DEC. MILLIMETERS ±0.5	THIS DOCUMENT IS OWNED BY, AND THE INFORMATION CONTAINED IN IT IS PROPRIETARY TO, RDI, BY RECEIPT HEREOF THE HOLDER AGREES NOT TO USE THE INFORMATION AND NOT TO DISCLOSE IT TO ANY THIRD PARTY, NOR REPRODUCE THIS DOCUMENT WITHOUT THE WRITTEN CONSENT OF RDI, AND AGREES TO RETURN THIS DOCUMENT FORTHWITH UPON REQUEST.		SHEET 1 OF 4 REV. _1
ANG. N/A			

ECN#	DATE	SYM	REVISION RECORD	AUTH	BY
------	------	-----	-----------------	------	----

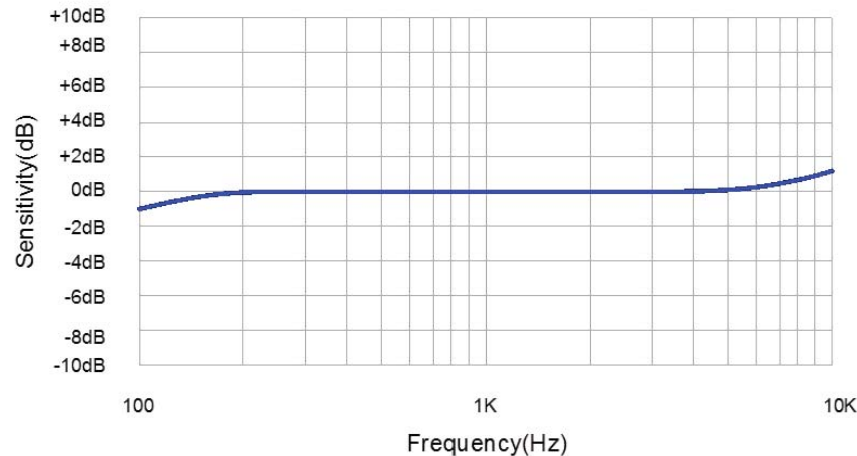
# Specification of Anlog MEMS Microphone

## 4. Acoustic and Electrical Characteristics

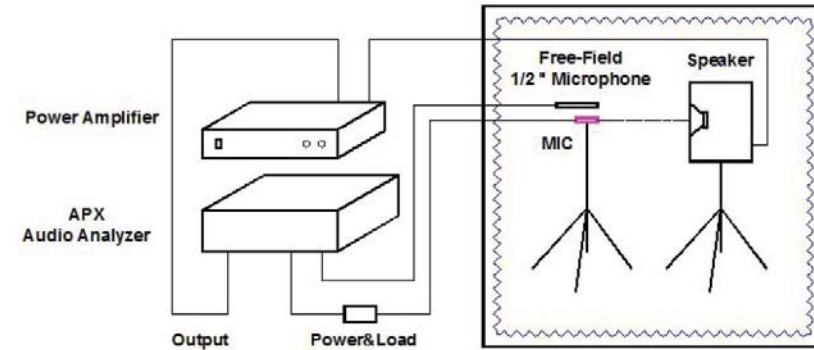
(Test Conditions: 23±2°C, 55±20% R.H)

Parameter	Symbol	Conditions	Min	Typ	Max	Unit
Directivity	D(θ)	Omni-Directional				
Sensitivity	S	94dB SPL @1KHz	-45	-42	-39	dB
Supply Voltage	V <sub>DD</sub>		1.3	2.0	3.6	V
Current Consumption	I <sub>DSS</sub>	V <sub>DD</sub> =2.0V		160		uA
S/N Ratio	S/N	94dB SPL @1KHz (A-weighted)		57		dB
Total Harmonic Distortion	THD	94dB SPL @1KHz		0.2		%
Acoustic Overload Point	AOP	10% THD @ 1 kHz		125		dB SPL
Output Impedance	Z <sub>OUT</sub>	@1KHz			300	Ω

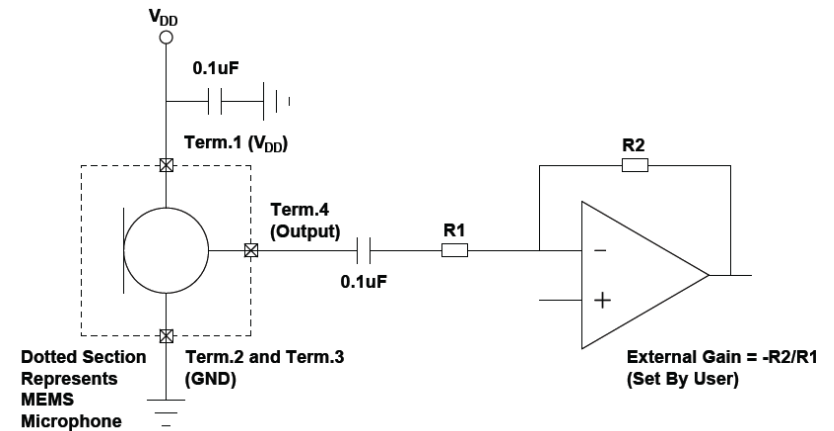
## 5. Frequency Response Curve



## 6. Test Setup Drawing



## 7. Recommended interface circuit

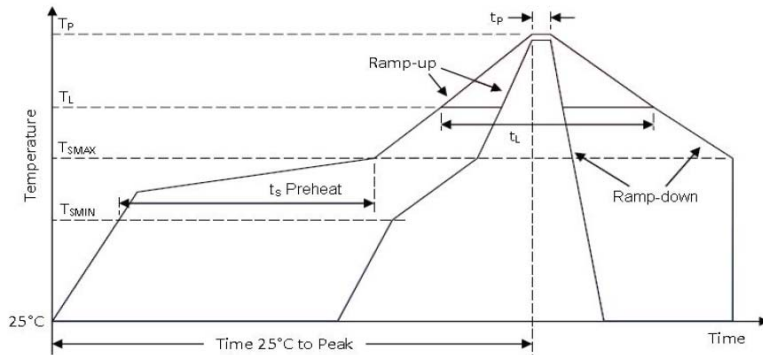


PROJECTION		RDI		Research Develop Innovate	
				RDI, Inc. 333 North Bedford Road, Suite 135, Mount Kisco, NY 10549	
SCALE	N/A	TITLE			
TOLERANCE EXCEPT AS NOTED	DR. Tina	DATE	REF.	SHEET	
DEC. INCHES	CK. BM	11/04/20	P/N: RMM3729AT-42NL	2 OF 4	
DEC. MILLIMETERS		PRE-MI	DRAWING NO. 5158	SIZE F	REV. _1
ANG.	N/A	THIS DOCUMENT IS OWNED BY, AND THE INFORMATION CONTAINED IN IT IS PROPRIETARY TO, RDI, BY RECEIPT HEREOF THE HOLDER AGREES NOT TO USE THE INFORMATION AND NOT TO DISCLOSE IT TO ANY THIRD PARTY, NOR REPRODUCE THIS DOCUMENT WITHOUT THE WRITTEN CONSENT OF RDI, AND AGREES TO RETURN THIS DOCUMENT FORTHWITH UPON REQUEST.			

ECN#	DATE	SYM	REVISION RECORD	AUTH	BY

## Specification of Anlog MEMS Microphone

### 8. Reflow Guarantee



Profile Feature	Pb-Free
Average Ramp-up rate (T <sub>S MAX</sub> to T <sub>P</sub> )	3°C/second max.
Preheat Temperature Min (T <sub>S MIN</sub> ) Temperature Max (T <sub>S MAX</sub> ) Time (T <sub>S MIN</sub> to T <sub>S MAX</sub> ) (t <sub>s</sub> )	150°C 200°C 60-180 seconds
Time maintained above: Temperature (T <sub>L</sub> ) Time (t <sub>L</sub> )	217°C 60-150 seconds
Peak Temperature (T <sub>P</sub> )	260°C
Time within 5°C of actual Peak Temperature (t <sub>p</sub> )	20-40 seconds
Ramp-down rate(T <sub>P</sub> to T <sub>S MAX</sub> )	6°C/second max
Time 25°C to Peak Temperature	8 minutes max

**Notes:**

1. Vacuuming over acoustical hole of the microphone is not allowed, because the Devices can be damaged by vacuum.
2. Washing the board after reflow process is not allowed, because board washing and Cleaning agents can damage the device. A device should not be exposed to ultrasonic processing or cleaning.
3. Recommended number of reflow is no more than 5 times.

### 9. Storage and Transportation

- 9.1. Keep MEMS MIC in warehouse with less than 75% humidity and without sudden temperature change, acid air, any other harmful air or strong magnetic field.
- 9.2. Recommend storage period no more than 1 year and floor life(out of bag) at factory no more than 4 weeks.

- 11.3. The MEMS MIC with normal pack can be transported by ordinary conveyances. Please protect products against moist, shock, sunburn and pressure during transportation.
- 11.4. Storage Temperature Range: -40°C ~ +85°C (Microphone units with package)
- 11.5. Operating Temperature Range: -40°C ~ +105°C

### 10. Reliability Specifications

Note: The microphone sensitivity after stress must deviate by no more than ±3dB from the initial value.

Test Item	Detail
Thermal Shock Test	100 cycles of air-air thermal shock from -40°C to +105°C with 15 minute soaks.
High Temperature Test	+105°C environment while under bias for 240 hours.
Low Temperature Test	-40°C environment while under bias for 240 hours.
Humidity Test	+85°C/85% R.H. environment while under bias for 240 hours.
Vibration Test	16 minutes in each X, Y, Z axis from 20 to 2,000 Hz with peak acceleration of 20G.
Drop Test	1.5-meter height onto a concrete surface each time at three directions in state of packaging.
Reflow Test	5 reflow cycles with peak temperature of +260°C.
ESD Test	Under C=150pF, R=330ohm. Tested to ±8KV contact to the case and tested to ±2kV contact to I/O terminals.10 times. Grounding.

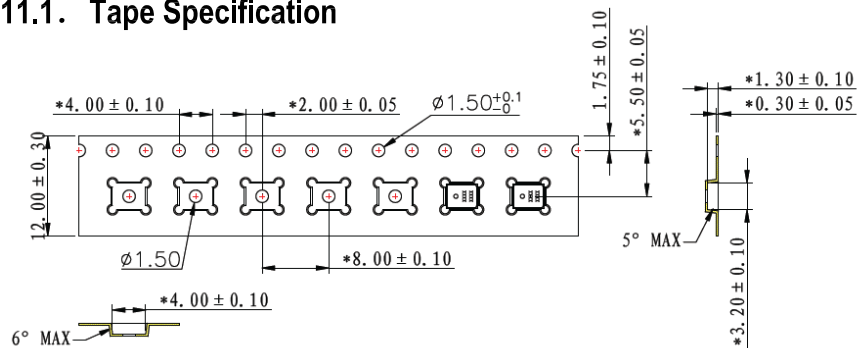
PROJECTION	<span style="font-weight: bold; font-size: 1.2em;">Research Develop Innovate</span>		
	RDI, Inc. 333 North Bedford Road, Suite 135, Mount Kisco, NY 10549		
SCALE N/A	TITLE Analog MEMS microphone cartridge, top part, SMT mount, RoHS Compliant		
TOLERANCE EXCEPT AS NOTED	DR. Tina	DATE 11/04/20	REF. P/N: RMM3729AT-42NL
DEC. INCHES N/A	CK. BM	PRE- MI	DRAWING NO. 5158 SIZE F
DEC. MILLIMETERS ±0.5	THIS DOCUMENT IS OWNED BY, AND THE INFORMATION CONTAINED IN IT IS PROPRIETARY TO, RDI, BY RECEIPT HEREOF THE HOLDER AGREES NOT TO USE THE INFORMATION AND NOT TO DISCLOSE IT TO ANY THIRD PARTY, NOR REPRODUCE THIS DOCUMENT WITHOUT THE WRITTEN CONSENT OF RDI, AND AGREES TO RETURN THIS DOCUMENT FORTHWITH UPON REQUEST.		
ANG. N/A	SHEET 3 OF 4 REV. _1		

ECN#	DATE	SYM	REVISION RECORD	AUTH	BY
------	------	-----	-----------------	------	----

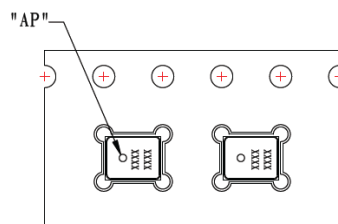
### Specification of Anlog MEMS Microphone

#### 11. Packaging Specifications

##### 11.1. Tape Specification

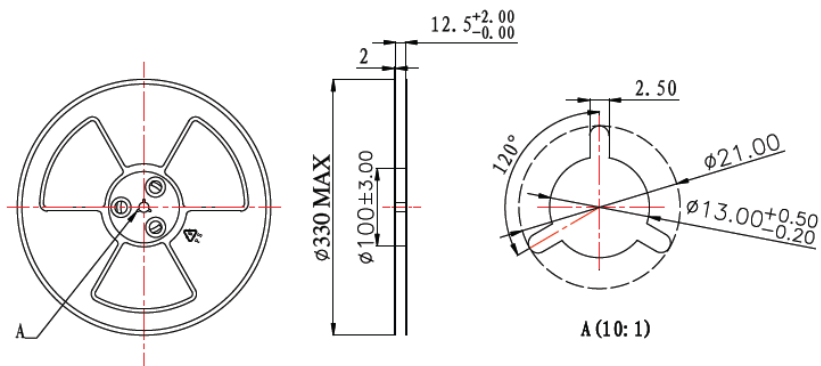


- 1. "3" --The product feature code.
- 2. "XXX" --Factory order number.
- 3. "Y" --Year.
- 4. "M" --Month.
- 5. "ZZ" --Lot Number.

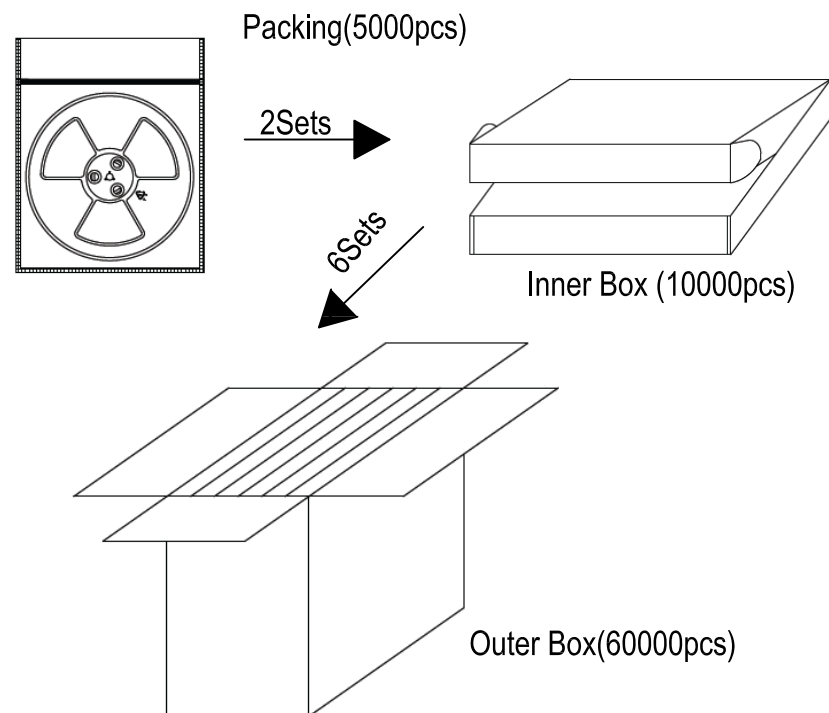


##### 11.2. Reel Dimension


13" reel dimensions (unit:mm)



##### 11.3. The Content of Box(13" reel)



Qty/ Reel	Qty/ One Inner Box	Qty/ Outer Box (Six Inner Box)
5000 pcs	10,000 pcs	60,000 pcs
Φ 330mm	355×340×45mm	365×290×370mm

PROJECTION		 <b>Research Develop Innovate</b> RDI, Inc. 333 North Bedford Road, Suite 135, Mount Kisco, NY 10549		
SCALE	N/A	TITLE Analog MEMS microphone cartridge, top part, SMT mount, RoHS Compliant		
TOLERANCE EXCEPT AS NOTED	DR. Tina	DATE 11/04/20	REF. P/N: RMM3729AT-42NL	SHEET 4 OF 4
DEC. INCHES	N/A	CK. BM	PRE-MI	DRAWING NO. 5158
DEC. MILLIMETERS	±0.5	SIZE	F	REV. __1
ANG.	N/A	THIS DOCUMENT IS OWNED BY, AND THE INFORMATION CONTAINED IN IT IS PROPRIETARY TO, RDI, BY RECEIPT HEREOF THE HOLDER AGREES NOT TO USE THE INFORMATION AND NOT TO DISCLOSE IT TO ANY THIRD PARTY, NOR REPRODUCE THIS DOCUMENT WITHOUT THE WRITTEN CONSENT OF RDI, AND AGREES TO RETURN THIS DOCUMENT FORTHWITH UPON REQUEST.		

ECN#	DATE	SYM	REVISION RECORD	AUTH	BY
------	------	-----	-----------------	------	----