

Features

- Wireless Charging Receiver Coil
- 12uH inductance
- Compact 20.0mm diameter
- Thin 0.8mm profile
- High permeability shielding
- Industrial operating temperature -25°C to +85°C
- RoHS / RoHS2 Compliant

Applications

- IoT, Wearables
- Portable Electronics
- Consumer Electronics
- Smart Phone Charging
- Portable Audio
- Industrial Electronics

Electrical Specifications

Part Number	Inductance	DC Resistance	Q
RCC-2020-RX-NL	12uH ±10%	275mΩ ±20%	20 ±30%

Test Conditions: Ambient Temperature: 25 ±10°C, RH: 60% ±20%.

Maximum Ratings

Item	Value
Operating Temperature Range	-25° to 85°C, RH ≤ 90%
Storage Temperature Range	-25° to 85°C, RH ≤ 70%

Mechanical Specifications

REF	A	B	C	D	E	F	G	H	I
Spec	20.0	20.0	18.2	18.2	6.5	6.5	15.0 ±2	3.0 ±1	1.0

Dimensions are in mm

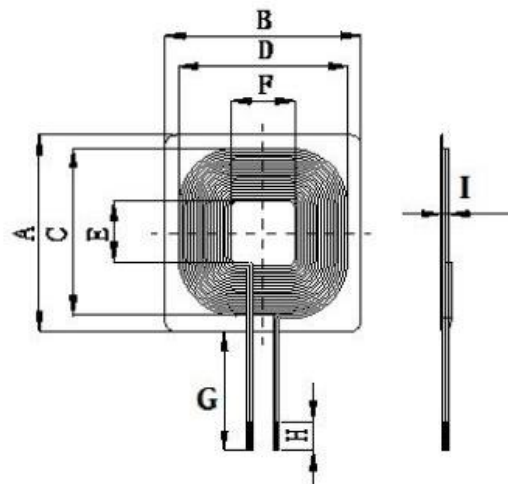
Tolerances are ±0.2mm, unless otherwise specified

Wave Soldering Profile: Not suitable for wave soldering

Manual Soldering: 350°C Max, 3secs

Packaging: Box, 100pcs MOQ

Number of Coils	Wire Diameter	Number of Turns	Inductance
1	0.2	24	12uH ±15%



Notes

1. The parts are manufactured in accordance with this specification. If other conditions and specifications which are required for this specification, please contact RDI for more information.
2. RDI will supply the parts in accordance with this specification unless we receive a written request to modify prior to an order placement.
3. In no case shall RDI be liable for any product failure from in appropriate handling or operation of the item beyond the scope of this specification.
4. When changing your production process, please notify RDI immediately.
5. RDI products are COTS – Commercial-Off-The-Shelf products; suitable for Commercial, Industrial and Consumer Applications. RDI's products are not specifically designed for Military, Aviation, Aerospace, Life-dependent Medical applications or any application requiring high reliability where component failure could result in loss of life and/or property. For applications requiring high reliability and/or presenting an extreme operating environment, written consent and authorization from RDI is required. Please contact RDI for more information.
6. All specifications and Marking will be subject to change without notice.