

SPECIFICATIONS :

1. ELECTRICAL :

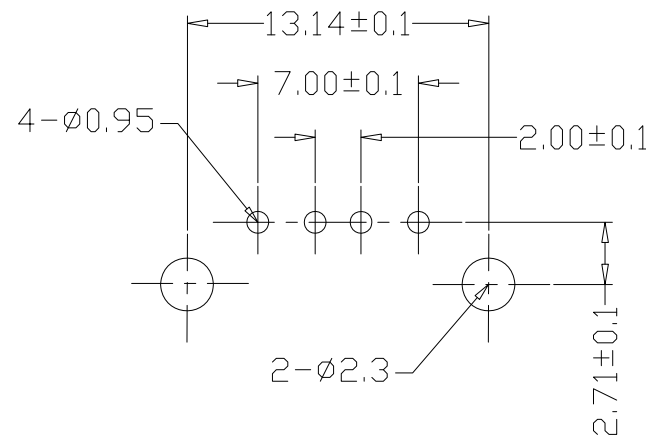
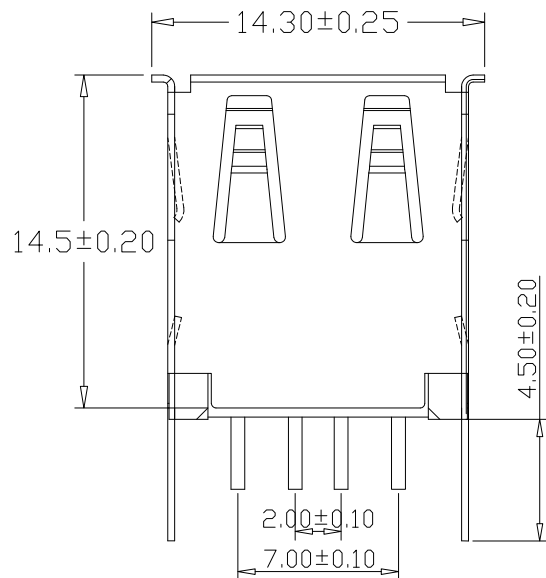
- 1.1 Contact Resistance : 30 mΩ MAX
- 1.2 Insulation Resistance : 1000 MΩ MIN
- 1.3 Dielectric Withstand Voltage : :
500 V DC
- 1.4 Current Rating : 1.5 AMP MAX.
- 1.5 Total Mating Force : 3.57 Kgf MAX.
- 1.6 Total Unmating Force : 0.7 Kgf MIN.
- 1.7 Temperature Range : -25°C ~ +75°C

2. MATERIAL :

- 2.1 Housing : High Temperature
PBT WHITE
- 2.2 Contact : BRASS
- 2.3 Shell : SPCC OR BRASS


3. FINISH :

- 3.1 Plating : Au or Sn Over 100u" Ni
- 3.2 Crimp Terminal : Gold-plating
- 3.3 Shell : Nickel Plating



PCB LAYOUT

NOTE: ALL DIMS ARE IN mm.

PROJECTION		 RDI Research Develop Innovate RDI, Inc. 333 North Bedford Road, Suite 135, Mount Kisco, NY 10549			
SCALE UNDEFINED		TITLE Type A USB receptacle, 180°, thru hole, RoHS Compliant			
TOLERANCE EXCEPT AS NOTED		DR. Tina	DATE 08/15/19	REF. P/N: UBAV-2004K-NL	SHEET 1 OF 1
DEC. MILLIMETERS .X±0.10 .XX±0.25 .XXX±0.35		CK. BM	PRE- CD	DRAWING NO. 4953	SIZE A
ANG. .x±5.0° .xx±3.0° .xxx±2.0°		THIS DOCUMENT IS OWNED BY, AND THE INFORMATION CONTAINED IN IT IS PROPRIETARY TO, RDI, BY RECEIPT HEREOF THE HOLDER AGREES NOT TO USE THE INFORMATION AND NOT TO DISCLOSE IT TO ANY THIRD PARTY, NOR REPRODUCE THIS DOCUMENT WITHOUT THE WRITTEN CONSENT OF RDI, AND AGREES TO RETURN THIS DOCUMENT FORTHWITH UPON REQUEST.			

ECN#	DATE	SYM	REVISION RECORD	AUTH	BY
------	------	-----	-----------------	------	----