

RDI PN- UBAR-2004X-30AHP-NL
[X=Color of insulator- W=White, K=Black]

NOTES :

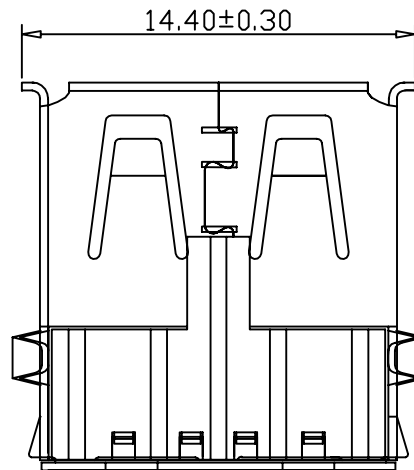
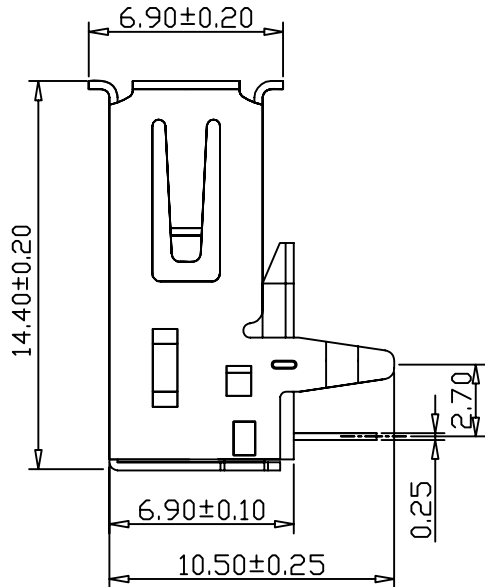
1. MATERIAL

- 1.1. MAIN BODY : PBT+30%GF,UL94-V0,WIHITE & BLACK
- 1.2. TERMINAL : BRASS T=0.25±0.01
(SURFACE TREATMENT: NICKEL PLATING 50U",
WELDING AREA TIN PLATING 100 U",CONTACT
REGION GOLD PLATED 30U")
- 1.3. HOUSING : BRASS NICKEL PLATING


2. ELECTRICAL TESTING

- 2.1. CONTACT RESISTANCE : 30mΩ Max
- 2.2. INSULATION RESISTANCE : 1000MΩ Min
CURRENT RATING : 3A AC/DC
- 2.3. WITHSTANDING VOLTAGE : 500V AC ONE MIN LEVEL
- 2.4. TEMPERATUR RANGE : -20°C ~ +85°C

3. ALL THE MATERIALS MEET THE ROHS STANDARD.



NOTE: ALL DIMS ARE IN mm.

PROJECTION		 RDI Research Develop Innovate RDI, Inc. 333 North Bedford Road, Suite 135, Mount Kisco, NY 10549			
SCALE 2 : 1		TITLE USB 2.0 connector, single r/a pcb mount, 3A, RoHS Compliant			
TOLERANCE EXCEPT AS NOTED		DR. Tina	DATE 04/28/14	REF. P/N: UBAR-2004X-30AHP-NL	
DEC. MILLIMETERS .X±0.10 .XX±0.25 .XXX±0.35		CK. BM	PRE- CD	DRAWING NO. 4514	SIZE A
ANG. .X±0.5° .XX±0.3° .XXX±0.2°		THIS DOCUMENT IS OWNED BY, AND THE INFORMATION CONTAINED IN IT IS PROPRIETARY TO, RDI, BY RECEIPT HEREOF THE HOLDER AGREES NOT TO USE THE INFORMATION AND NOT TO DISCLOSE IT TO ANY THIRD PARTY, NOR REPRODUCE THIS DOCUMENT WITHOUT THE WRITTEN CONSENT OF RDI, AND AGREES TO RETURN THIS DOCUMENT FORTHWITH UPON REQUEST.			

ECN#	DATE	SYM	REVISION RECORD	AUTH	BY
------	------	-----	-----------------	------	----