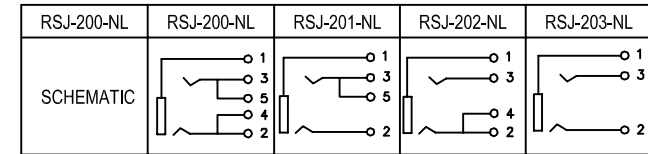
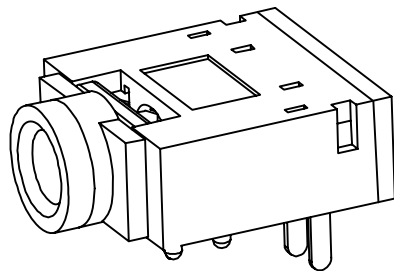
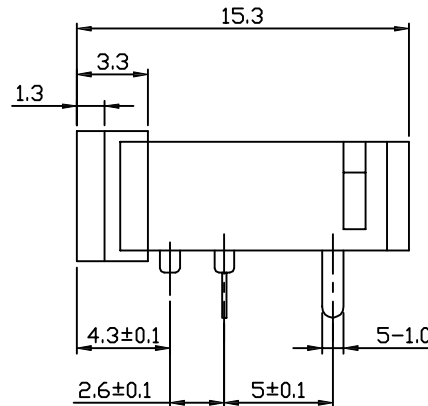
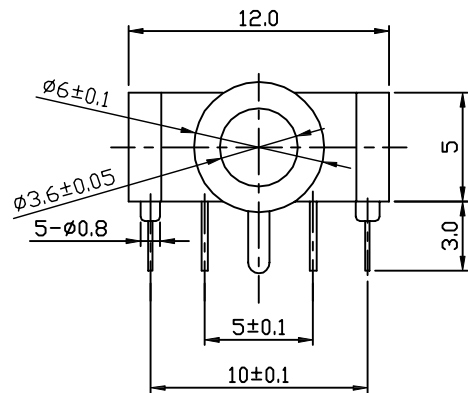


PCB LAYOUT TOP VIEW

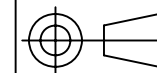


CIRCUIT DIAGRAM

NOTE:
ALL DIMS ARE GIVEN IN MM.

| | | | | |
|-----|--|-----|-------------------------|-------------|
| ⑧ | COVER PH-PJ-3042A r-Z 1 | | PBT (BLACK) | |
| ⑦ | HOUSING PH-PJ-3042A r-Z 1 | 1 | PBT (BLACK) | |
| ⑥ | FIX TURN MS-PJ-3042A r-Q ₄ C | 1 | H59 (COPPER ALLOY) | CuSn-Plated |
| ⑤ | TERMINAL MT-PJ-3042-5Q ₃ S | 1 | BRASS t=0.35 | Ag-Plated |
| ④ | TERMINAL MT-PJ-3042-4Q ₃ S | 1 | BRASS t=0.30 | Ag-Plated |
| ③ | TERMINAL MT-PJ-3042-3Q ₁ S | 1 | PHOSPHOR BRONZE t=0.30 | Ag-Plated |
| ② | TERMINAL MT-PJ-3042-2Q ₁ S | 1 | PHOSPHOR BRONZE t=0.25 | Ag-Plated |
| ① | TERMINAL MT-PJ-3042A ₁ -1Q ₁ S | 1 | PHOSPHOR BRONZE t=0.25 | Ag-Plated |
| No. | PART NAME | QTY | MATERIAL (THICK, COLOR) | REMARK |

PROJECTION



Research Develop Innovate

RDI, Inc. 333 North Bedford Road, Suite 135, Mount Kisco, NY 10549

SCALE NONE

TITLE STEREO JACK-RoHS COMPLIANT

TOLERANCE EXCEPT AS NOTED

| | | |
|--------|--------------|------------------|
| DR. SL | DATE 7/27/02 | REF. |
| CK. SL | PRE-JK | DRAWING NO. 0779 |
| | SIZE A | REV. B |

DEC. MILLIMETERS 16<L≤63 ±0.3

THIS DOCUMENT IS OWNED BY, AND THE INFORMATION CONTAINED IN IT IS PROPRIETARY TO, RDI, BY RECEIPT HEREOF THE HOLDER AGREES NOT TO USE THE INFORMATION AND NOT TO DISCLOSE IT TO ANY THIRD PARTY, NOR REPRODUCE THIS DOCUMENT WITHOUT THE WRITTEN CONSENT OF RDI, AND AGREES TO RETURN THIS DOCUMENT FORTHWITH UPON REQUEST.

4<L≤16 ±0.2

≤4 ±0.15

ANG. ±5°

| | | | | | |
|--------|----------|-----|------------------------------------|------|----|
| 11-025 | 3/10/11 | B | CHANGED THE DRAWING TO NEW VIEWS | MD | AL |
| 06-113 | 02/15/06 | A | CHANGED THE PART TO RoHS COMPLIANT | VC | JY |
| ECN# | DATE | SYM | REVISION RECORD | AUTH | BY |