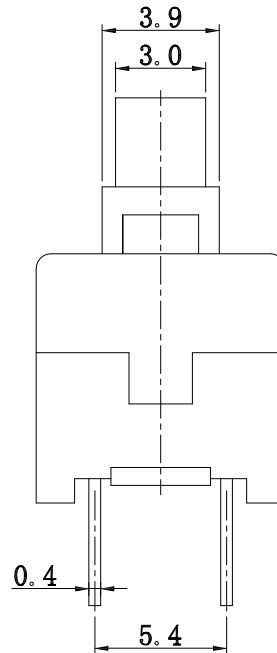
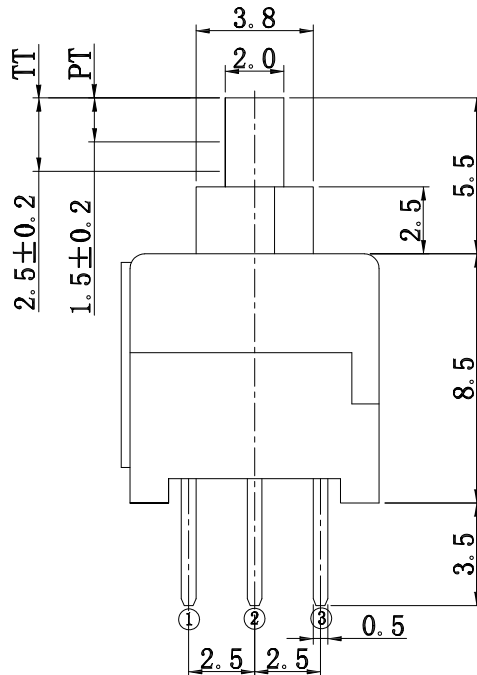
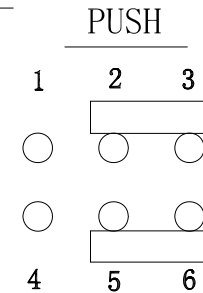
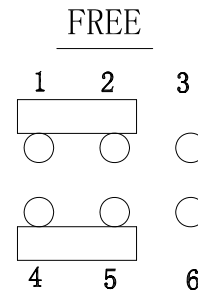
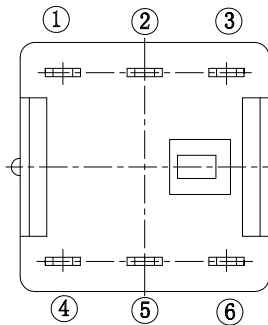
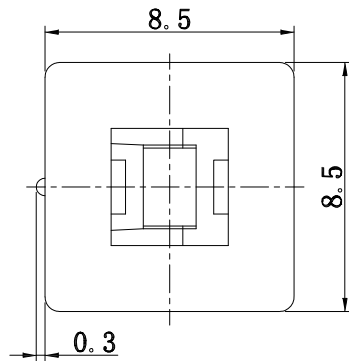


SCHEMATIC



1. FUNCTIONAL APES	
1.1 RATED VOLTAGE	30 / 16 VDC
1.2 RATED CURRENT	0.3 / 0.5 A
1.3 CONTACT RESISTANCE	≤ 50mΩ(Initial value)
1.4 OPERATING FORCE(OF)	200 ± 80 gf
1.5 BOUNCE TIME (BT)	
1.6 FREE POSITION (FP)	
1.7 OPERATING POSITION	
1.8 POSITION TRAVEL	1.5±0.2 mm
1.9 RETURN FORCE	2.5±0.2 mm
2. RELIABLE RATING	
2.1 MECHANICAL LIFE	100,000 CYCLES
2.2 ELECTRICAL LIFE	10,000 CYCLES
2.3 INSULATION RESISTANCE	≥ 100MΩ DC250V
2.4 WITHSTAND VOLTAGE	AC250V 1 MINUTE
2.5 SOLDERING FROCESS	HAND SOLDERING
2.6 OPERATING TEMPER	-25°C ~ 65°C
2.7 AMBIENT HUMIDITY USED	<85%RH

PROJECTION		Research Develop Innovate RDI, Inc. 333 North Bedford Road, Suite 135, Mount Kisco, NY 10549	
SCALE N/A		TITLE PCB pushbutton switch, DPDT, non-locking, RoHS Compliant	
TOLERANCE EXCEPT AS NOTED	DR. Tina	DATE 07/08/19	REF. P/N: RPS-02N-NL
DEC. MILLIMETERS	CK. BM	PRE-SW	DRAWING NO. 4902
.X±0.30 .XX±0.15	SIZE A		SHEET 1 OF 1 REV. -
THIS DOCUMENT IS OWNED BY, AND THE INFORMATION CONTAINED IN IT IS PROPRIETARY TO, RDI, BY RECEIPT HEREOF THE HOLDER AGREES NOT TO USE THE INFORMATION AND NOT TO DISCLOSE IT TO ANY THIRD PARTY, NOR REPRODUCE THIS DOCUMENT WITHOUT THE WRITTEN CONSENT OF RDI, AND AGREES TO RETURN THIS DOCUMENT FORTHWITH UPON REQUEST.			

ECN#	DATE	SYM	REVISION RECORD	AUTH	BY
------	------	-----	-----------------	------	----

ANG. X±1°