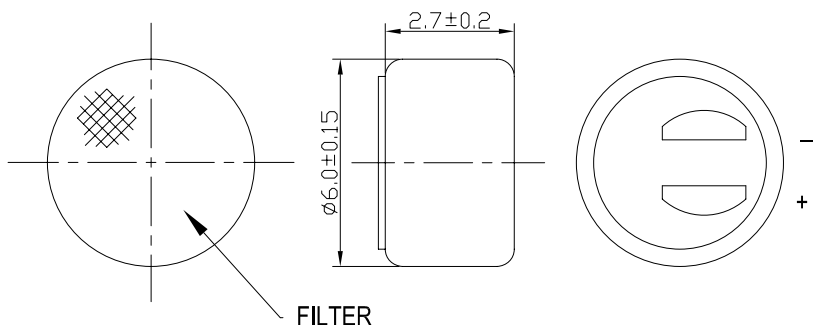
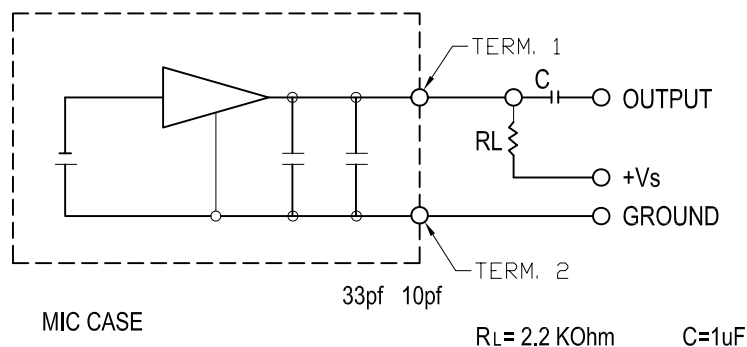


1. CONSTRUCTION

DIMENSIONS: Ø 6.0X 2.7 (UNIT:mm)



2. MEASUREMENT CIRCUIT



RL= 2.2 KOhm C=1uF

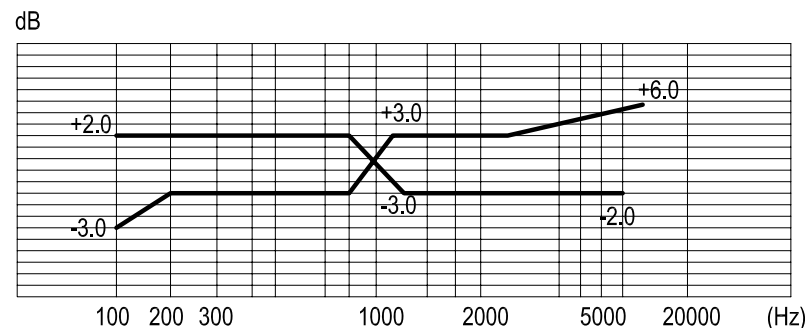
4. ELECTRICAL SPECIFICATIONS

TEST CONDITION (Vs=DC 2.0V,RL=2.0KΩ TEMP=20°C,ROOM HUMIDITY= 65%)

ITEM	SYMBOL	TEST CONDITION	MINIMUM	STANDARD	MAXIMUM	UNIT
SENSITIVITY	S	f = 1KHz,P = 1Pa	-45	-42	-39	dB
OUTPUT IMPEDANCE	ZOUT	f = 1KHz,P = 1Pa			2.2	KΩ
DIRECTIVITY						
CURRENT CONSUMPTION	I				0.5	mA
S/N RATIO	S/N	f=1KHz,P=1Pa A CURVE	60			dB
DECREASING VOLTAGE CHARACTERISTIC	△S	f=1KHz, P=1Pa Vs=1.5V TO 1.0V			-3	dB
SOUND PRESSURE LEVEL		f=1KHz	110			dB

0dB=1V/Pa

5 FREQUENCY RESPONSE ALLOWANCE RANGE



3. SPECIFICATIONS

NO.	ITEM	STANDARD	NO.	ITEM	STANDARD
1	SENSITIVITY	-42±3dB	6	STANDARD POWER SUPPLY	DC 2.0V
2	OUTPUT IMPEDANCE	≤2. 2KΩ	7	MIN OPERATION VOLTAGE	1.5V
3	DIRECTIVITY	OMNIDIRECTIONAL	8	CURRENT CONSUMPTION	≤0.5mA
4	FREQUENCY RANGE	50-16,000 Hz	9	SIGNAL TO NOISE RATIO	≥ 60dB
5	OPERATION VOLTAGE	DC 1.5V-10V			

ECN#	DATE	SYM	REVISION RECORD	AUTH	BY

PROJECTION		RDI Research Develop Innovate RDI, Inc. 333 North Bedford Road, Suite 135, Mount Kisco, NY 10549	
SCALE N/A	TITLE Mic -42dB/RoHS Compliant		
TOLERANCE EXCEPT AS NOTED	DR. Aris	DATE 12/31/10	REF. P/N: REM6027B42-NL
DEC. INCHES N/A	CK. GM	PRE- MI	DRAWING NO. 4001
DEC. MILLIMETERS N/A	THIS DOCUMENT IS OWNED BY, AND THE INFORMATION CONTAINED IN IT IS PROPRIETARY TO, RDI, BY RECEIPT HEREOF THE HOLDER AGREES NOT TO USE THE INFORMATION AND NOT TO DISCLOSE IT TO ANY THIRD PARTY, NOR REPRODUCE THIS DOCUMENT WITHOUT THE WRITTEN CONSENT OF RDI, AND AGREES TO RETURN THIS DOCUMENT FORTHWITH UPON REQUEST.		
ANG. N/A	SIZE F	REV. -	1 OF 2


6. MECHANICAL SPECIFICATION

WEIGHT	LESS THAN: 0.5g	
SOLDERING HEAT SHOCK	TO BE NO INTERFERE IN OPERATION AFTER SOLDERING HEAT SHOCK,TEMPERATURE 260°C±5°C FOR 10±1 SECONDS.	
TERMINAL MECHANICAL STRENGTH	TO BE NO INTERFERE IN OPERATION AFTER PULLED THE TERMINAL WITH 1Kg STRENGTH FOR 1 MINUTE.	
ABSOLUTE MAXIMUM RATINGS	OPERATING VOLTAGE	10V
	STORAGE TEMPERATURE RANGE	-20~+60°C

HUMIDITY TEST	AFTER EXPOSURE AT 60°C±2°C AND 90 TO 93±3% RELATIVE HUMIDITY FOR 200 HOURS,SENSITIVITY TO BE WITHIN ±3dB FROM INITIAL SENSITIVITY. (THE MEASUREMENT TO BE DONE AFTER 2 HOURS OF CONDITIONING AT 20°C)
TEMPERATURE CYCLE TEST	AFTER EXPOSURE AT -20°C FOR 2 HOURS, AT 20°C FOR 30 MINUTES, AT 60°C FOR 2 HOURS AT 20°C FOR 10 MINUTES, 5 CYCLES, SENSITIVITY TO BE WITHIN ±3dB FROM INITIAL SENSITIVITY. (THE MEASUREMENT TO BE DONE AFTER 2 HOURS OF CONDITIONING AT 20°C)

7. RELIABILITY TEST

VIBRATION TEST	TO BE NO INTERFERE IN OPERATION AFTER VIBRATION 10Hz TO 30Hz FOR 1 MINUTE FULL AMPLITUDE 0.55mm FOR 1 HOURS AT THREE AXISES.
DROP TEST	TO BE NO INTERFERE IN OPERATION AFTER DROPPED TO CONCRETE FLOOR EACH ONE TIME FROM 1 METER HEIGHT AT THREE DIRECTIONS IN STATE OF PACKING.
TEMPERATURE TEST	a) AFTER EXPOSURE AT 65°C FOR 200 HOURS, SENSITIVITY TO BE WITHIN ±3dB FROM INITIAL SENSITIVITY. (THE MEASUREMENT TO BE DONE AFTER 2 HOURS OF CONDITIONING AT 20°C) b) AFTER EXPOSURE AT -20°C FOR 200 HOURS, SENSITIVITY TO BE WITHIN ±3dB FROM INITIAL SENSITIVITY. (THE MEASUREMENT TO BE DONE AFTER 2 HOURS OF CONDITIONING AT 20°C)

PROJECTION	 RDI Research Develop Innovate RDI, Inc. 333 North Bedford Road, Suite 135, Mount Kisco, NY 10549			
SCALE	TITLE			
N/A	Mic -42dB/RoHS Compliant			
TOLERANCE EXCEPT AS NOTED	DR. Aris	DATE 12/31/10	REF. P/N: REM6027B42-NL	2 OF 2
DEC. INCHES N/A	CK. GM	PRE-MI	DRAWING NO. 4001	SIZE F REV. -
DEC. MILLIMETERS N/A	THIS DOCUMENT IS OWNED BY, AND THE INFORMATION CONTAINED IN IT IS PROPRIETARY TO, RDI, BY RECEIPT HEREOF THE HOLDER AGREES NOT TO USE THE INFORMATION AND NOT TO DISCLOSE IT TO ANY THIRD PARTY, NOR REPRODUCE THIS DOCUMENT WITHOUT THE WRITTEN CONSENT OF RDI, AND AGREES TO RETURN THIS DOCUMENT FORTHWITH UPON REQUEST.			
ANG. N/A				

ECN#	DATE	SYM	REVISION RECORD	AUTH	BY
------	------	-----	-----------------	------	----