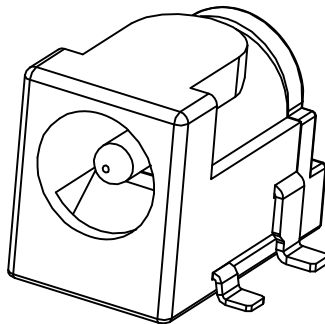
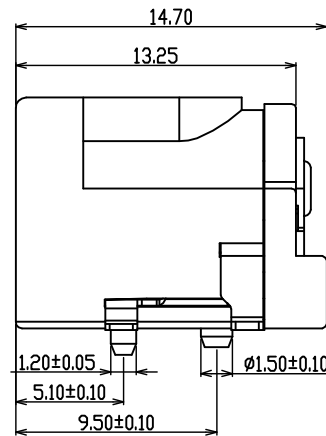
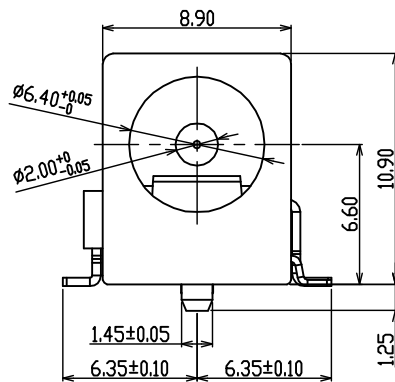
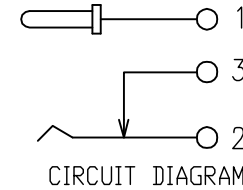


PCB LAYOUT TOP VIEW



NOTE:  
PART NO. RDJ-0220X-SMT-NL  
[X= Pin dia; A=2.0 +/-0.05mm, B=2.45, +/-0.05mm]

| No. | PART NAME | QTY | MATERIAL (THICK, COLOR) | REMARK            |
|-----|-----------|-----|-------------------------|-------------------|
| ⑥   | COVER     | 1   | PA9T(Black)             |                   |
| ⑤   | HOUSING   | 1   | PA9T(Black)             |                   |
| ①   | PIN       | 1   | H59                     | Ni-Plated         |
| ③   | TERMINAL  | 1   | BRASS t=0.4             | Tin flas h-Plated |
| ②   | TERMINAL  | 1   | PHOSPHOR BR ONZE t=0.3  | Tin flas h-Plated |
| ④   | TERMINAL  | 1   | BRASS t=0.4             | Tin flas h-Plated |
| No. | PART NAME | QTY | MATERIAL (THICK, COLOR) | REMARK            |

UNIT:MM

|   |   |                  |                               |                 |
|---|---|------------------|-------------------------------|-----------------|
| PROJECTION  | <b>Research Develop Innovate</b><br>RDI, Inc. 333 North Bedford Road, Suite 135, Mount Kisco, NY 10549  |                  |                               |                 |
| SCALE<br>N/A  | TITLE<br>DC power jack, SMT mount, RoHS Compliant   |                  |                               |                 |
| TOLERANCE<br>EXCEPT AS NOTED  | DR.<br>Ian  | DATE<br>11/06/14 | REF.<br>P/N: RDJ-0220X-SMT-NL | SHEET<br>1 OF 1 |
| DEC. MILLIMETERS<br>16 < L ≤ 63 ±0.3<br>4 < L ≤ 16 ±0.2<br>L ≤ 16 ±0.15 | CK.<br>BM   | PRE-<br>JK       | DRAWING NO.<br>4578           | SIZE<br>A       |
| ANG.<br>±5°   | THIS DOCUMENT IS OWNED BY, AND THE INFORMATION CONTAINED IN IT IS PROPRIETARY TO, RDI, BY RECEIPT HEREOF THE HOLDER AGREES NOT TO USE THE INFORMATION AND NOT TO DISCLOSE IT TO ANY THIRD PARTY, NOR REPRODUCE THIS DOCUMENT WITHOUT THE WRITTEN CONSENT OF RDI, AND AGREES TO RETURN THIS DOCUMENT FORTHWITH UPON REQUEST. |                  |                               |                 |

| ECN# | DATE | SYM | REVISION RECORD | AUTH | BY |
|------|------|-----|-----------------|------|----|
|      |      |     |                 |      |    |