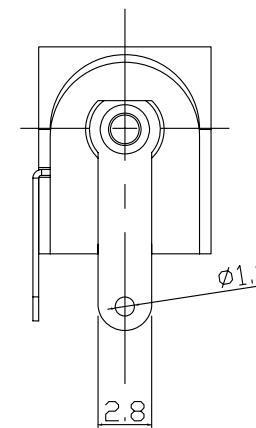
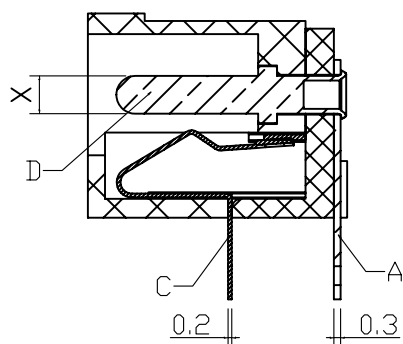


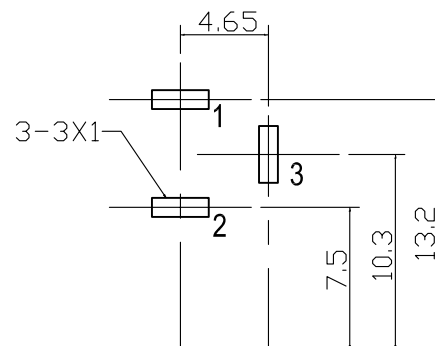
X=OPTION "A"



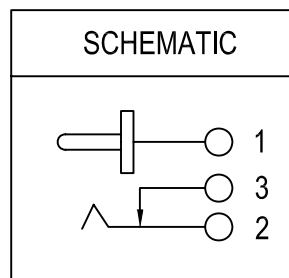
X=OPTION "B"



SEC A-A



RECOMMEND PCB LAYOUT (JACK TOP VIEW)
TOLERANCES: ± 0.05
RECOMMEND PCB THICKNESS: 1.6mm



SCHEMATIC

SPECIFICATION:

1. VOLTAGE RATING: DC50V
2. CURRENT RATING: 1.5A
3. CONTACT RESISTANCE: 30m Ω MAX
4. INSULATION RESISTANCE: 100m Ω MIN(DC 500V) FOR 1 SECS
5. DIELECTRIC WITHSTAND VOLTAGE: AC 500V FOR 5 SECS MIN
6. INSERTION FORCE: 1KGF MAX
7. EXTRACTION FORCE: 3KGF
8. LIFE TEST: 5000 CYCLES
9. OPERATING TEMPERATURE RANGE -40~70°C
10. SOLDER HEAT RESISTANCE: WAVE SOLDERING 260° FOR 3 SECS

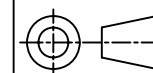
NOTE: ALL DIMS ARE IN mm.

ORDERING CHART:
RDI P/N: RDJ-005X-NL

PIN DIAMETER: A= $\phi 2.0$ mm
B= $\phi 2.5$ mm

| 6 | COVER BOARD | 1 | PBT | BLACK | |
|-----|----------------|-----|-------------------|----------|--------|
| 5 | HOUSING | 1 | PBT | BLACK | |
| 4 | MANDRIL | 1 | H59 | Ag | |
| 3 | CONTACT PIN 3# | 1 | MANGANESE T=0.2mm | Ag | |
| 2 | CONTACT PIN 2# | 1 | H62 T=0.3mm | Ag | |
| 1 | CONTACT PIN 1# | 1 | H62 T=0.3mm | Ag | |
| NO. | NAME | QTY | MATERIAL | FINISHED | REMARK |

PROJECTION



Research Development Innovation

RDI, Inc. 333 North Bedford Road, Suite 135, Mount Kisco, NY 10549

SCALE

NONE

TITLE

DC POWER JACK-RoHS COMPLIANT

| 11-024 | 03/04/11 | D | REVISED THE DRAWING TO NEW VIEWS | CP | AL |
|--------|----------|-----|---|------|----|
| 09-128 | 05/04/09 | C | REVISED RATING: DC 12V 1.0A TO 30V 0.5A | BILL | JY |
| 07-430 | 09/11/07 | B | REVISED RATING: DC 12V 1.0A TO 30V 0.5A | VC | JY |
| 06-563 | 08/16/06 | A | ADDED THE PIN DIMS B: $\phi 2.5$ | BM | JY |
| ECN# | DATE | SYM | REVISION RECORD | AUTH | BY |

| | | | |
|----------------------|-----|----------|------------------|
| TOLERANCE | DR. | DATE | REF. |
| EXCEPT AS NOTED | Jin | 05/21/05 | P/N: RDJ-005X-NL |
| DEC. MILLIMETERS | CK. | PRE- | DRAWING NO. |
| 6 MAX.: ± 0.1 | LL | JK | 2457 |
| 6~20 MAX.: ± 0.2 | | | SIZE |
| 20 MIN.: ± 0.3 | | | A |
| ANG. | | | REV. |
| $\pm 3^\circ$ | | | D |

THIS DOCUMENT IS OWNED BY, AND THE INFORMATION CONTAINED IN IT IS PROPRIETARY TO, RDI, BY RECEIPT HEREOF THE HOLDER AGREES NOT TO USE THE INFORMATION AND NOT TO DISCLOSE IT TO ANY THIRD PARTY, NOR REPRODUCE THIS DOCUMENT WITHOUT THE WRITTEN CONSENT OF RDI, AND AGREES TO RETURN THIS DOCUMENT FORTHWITH UPON REQUEST.