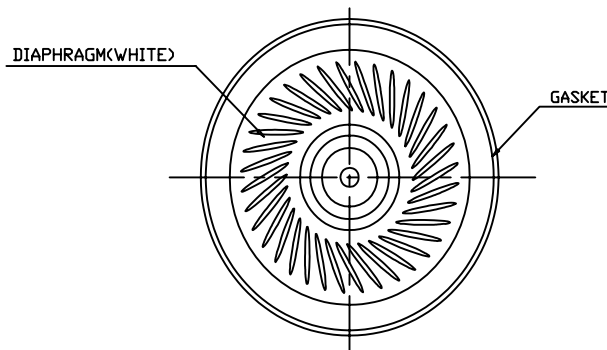
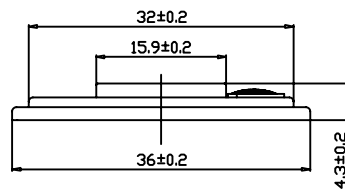
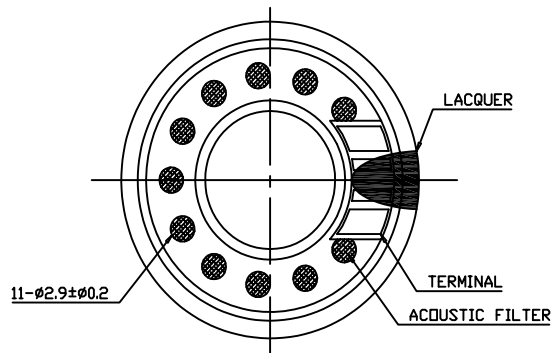

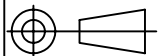


SPECIFICATIONS

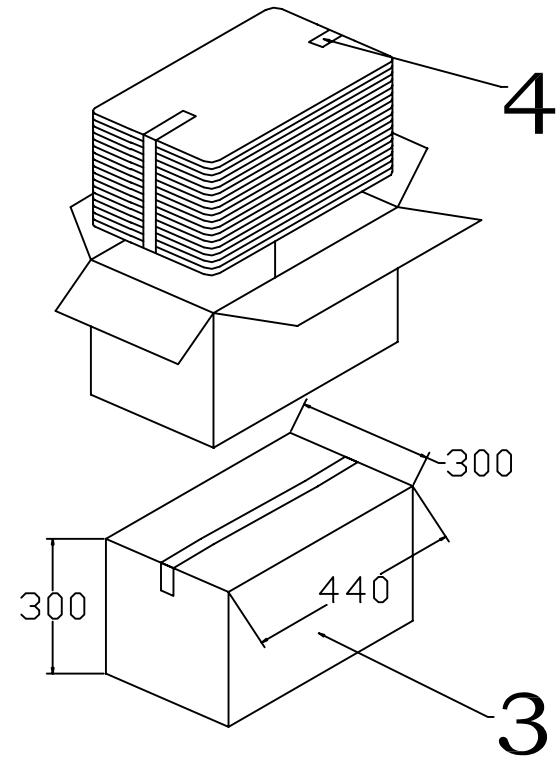
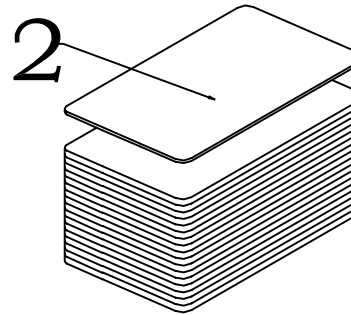
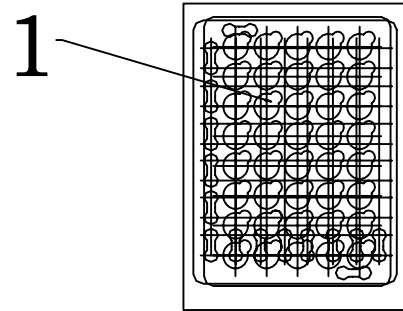
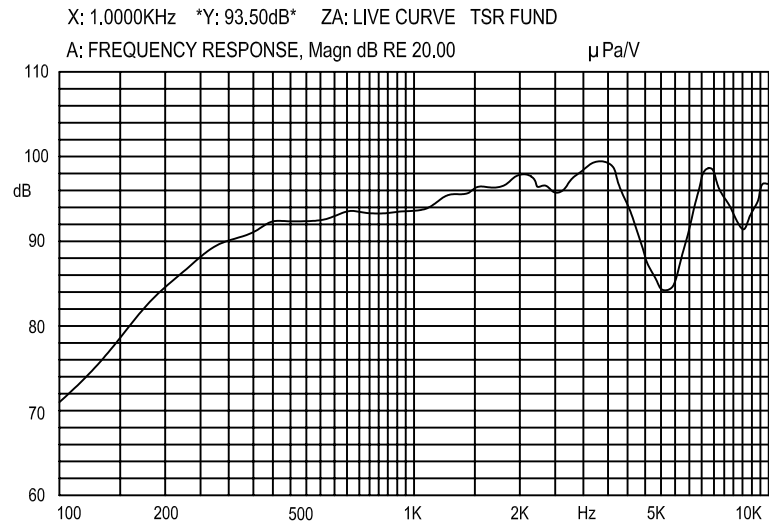


1	TYPE	MICRO DYNAMIC MYLAR SPEAKER 36mm
2	INPEDANCE	8 Ohm \pm 15% AT 1V 2KHz
3	RATED INPUT POWER	0.8W rms
4	MAX INPUT POWER	1.0W MUST BE NORMAL AT WHITE NOISE(1.0) FOR ONE MINUTE
5	RESONANCE FREQUENCY(f_0)	290Hz \pm 20%, AT 1V
6	SENSITIVITY (S.P.L)	93dB \pm 3dB, AT 800,1K, 1.2K, 1.5K Hz Ave 1.0V 0.1M
7	FREQUENCY RESPONSE	f_0 -KHz, REFER TO FREQUENCY RESPONSE CHART.
8	DISTORTION	5% MAX. AT FROM 300Hz TO 8KHz
9	VOICE COIL	DIAMETER 13.31mm, JAPAN COIL(HIGH TENSION COIL)
10	MAGNET	RAER EARTH MAGNET, 12.5X1.5mm 2.0g,
11	FLUX DENSITY	6,500 GAUS, MIN. \pm 10%
12	NET WEIGHT	12g
13	APPEARANCE	SHOULD NOT EXIST ANY KIND OF OBSTACLE TO BE HARMFUL TO NORMAL OPERATION NOR ANY REMARKABLE DAMAGES, CRACKS RUST AND DISTORTIONS WHICH MAY CAUSE MALFUNCTION.
14	BUZZ, RATTLE ETC.	SHOULD NOT BE AUDIBLE BUZZ AND RATTLE AT (2.52)V SINCE WAVE BETWEEN 300Hz TO 8KHz.
15	INSULATION	1MOhm OVER AT -100VDC. BETWEEN A TERMINAL AND THE METAL HOUSING.
16	TERMINAL STRENGTH	CAPABLE OF WITHSTAND A (1Kg) LOAD FOR 15SEC. WITHOUT RESULTING IN ANY DAMAGE OR REJECTION
17	LOAD TEST	SHALL BE NORMAL AFTER TEST, INPUT POWER (2.52V). WHITE NOISE, 24 HOURS.
18	ENVIRONMENTAL TEST	SENSITIVITY DIFFERENCE SHALL BE WITHIN (2dB) AND SHOULD SATISFY THE TEST DESCRIBED UNDER ITEM 14 AND 15, AFTER EACH FOLLOWING TEST
	1) THERMAL CYCLE TEST	1) 40 $^{\circ}$ C (1HOUR), +110 $^{\circ}$ C (1HOUR), CYCLE: 4CYCLE AND THEN LET ONE HOURS IN A ROOM.
	2) HIGH TEMPERATURE TEST	2) +110 $^{\circ}$ C \pm 3 $^{\circ}$ C LET (6 HOURS) IN A ROOM.
	3) LOW TEMPERATURE TEST	3) -40 $^{\circ}$ C \pm 3 $^{\circ}$ C LET (6 HOURS) IN A ROOM.
	4) HUMIDITY TEST	4) TEMPERATURE: +40 $^{\circ}$ C \pm 3 $^{\circ}$ C RELATIVE HUMIDITY : 95%, LET (6 HOURS) IN A ROOM. MOUNTED A UNIT
	5) OPERATING TEMPERATURE	5) -25 $^{\circ}$ C ~ +90 $^{\circ}$ C
	6) STORAGE TEMPERATURE	6) -30 $^{\circ}$ C ~ +110 $^{\circ}$ C
19	DROP TEST	DROP THE HANDSET ON TO A WOOD BOARD 5 mm THICK (10 TIMES) FROM A HEIGHT OF 1m AND SHALL HAVE NO MECHANICAL DAMAGE.

NOTE: ALL DIMENSIONS ARE IN MM.

PROJECTION		 Research Develop Innovate RDI, Inc. 400 Columbus Avenue Valhalla, NY 10595	
		TITLE MICRO SPEAKER-RoHS COMPLIANT	
SCALE 1.5:1	DR. Jin	DATE 06/26/06	REF. HSP-36PS-8-NG-TCI-MIL-1-NB-NL
TOLERANCE EXCEPT AS NOTED	CK. JY	PRE- SP	SHEET 1 OF 2
DEC. INCHES N/A	DRAWING NO. 2881		SIZE F
DEC. MILLIMETERS ± 0.1	THIS DOCUMENT IS OWNED BY, AND THE INFORMATION CONTAINED IN IT IS PROPRIETARY TO, RDI, BY RECEIPT HEREOF THE HOLDER AGREES NOT TO USE THE INFORMATION AND NOT TO DISCLOSE IT TO ANY THIRD PARTY, NOR REPRODUCE THIS DOCUMENT WITHOUT THE WRITTEN CONSENT OF RDI, AND AGREES TO RETURN THIS DOCUMENT FORTHWITH UPON REQUEST.		
ANG. N/A	REV. A		

07-173	04/31/07	A	CHANGED THE PART TO NEW PRINT&CHANGED THE PART TO RoHS COMPLIANT	CF	JY
ECN#	DATE	SYM	REVISION RECORD	AUTH	BY



NO.	PACKING	MATERIAL	COLOR
1	TRAY	POLYSTYRENE	WHITE
2	LARGE BOX	CARDBOARD	AMBER

NOTE: ALL DIMENSIONS ARE IN MM.

PROJECTION		RDI Research Develop Innovate RDI, Inc. 400 Columbus Avenue Valhalla, NY 10595			
		TITLE MICRO SPEAKER-RoHS COMPLIANT			
SCALE N/A		DR. Jin	DATE 06/26/06	REF. HSP-36PS-8-NG-TCI-MIL-1-NB-NL	SHEET 2 OF 2
TOLERANCE EXCEPT AS NOTED		CK. JY	PRE- SP	DRAWING NO. 2881	SIZE F
DEC. INCHES N/A		REV. A			
DEC. MILLIMETERS N/A		THIS DOCUMENT IS OWNED BY, AND THE INFORMATION CONTAINED IN IT IS PROPRIETARY TO, RDI. BY RECEIPT HEREOF THE HOLDER AGREES NOT TO USE THE INFORMATION AND NOT TO DISCLOSE IT TO ANY THIRD PARTY, NOR REPRODUCE THIS DOCUMENT WITHOUT THE WRITTEN CONSENT OF RDI, AND AGREES TO RETURN THIS DOCUMENT FORTHWITH UPON REQUEST.			
ANG. N/A					

ECN#	DATE	SYM	REVISION RECORD	AUTH	BY
07-173	04/31/07	A	CHANGED THE PART TO NEW PRINT&CHANGED THE PART TO RoHS COMPLIANT	CF	JY