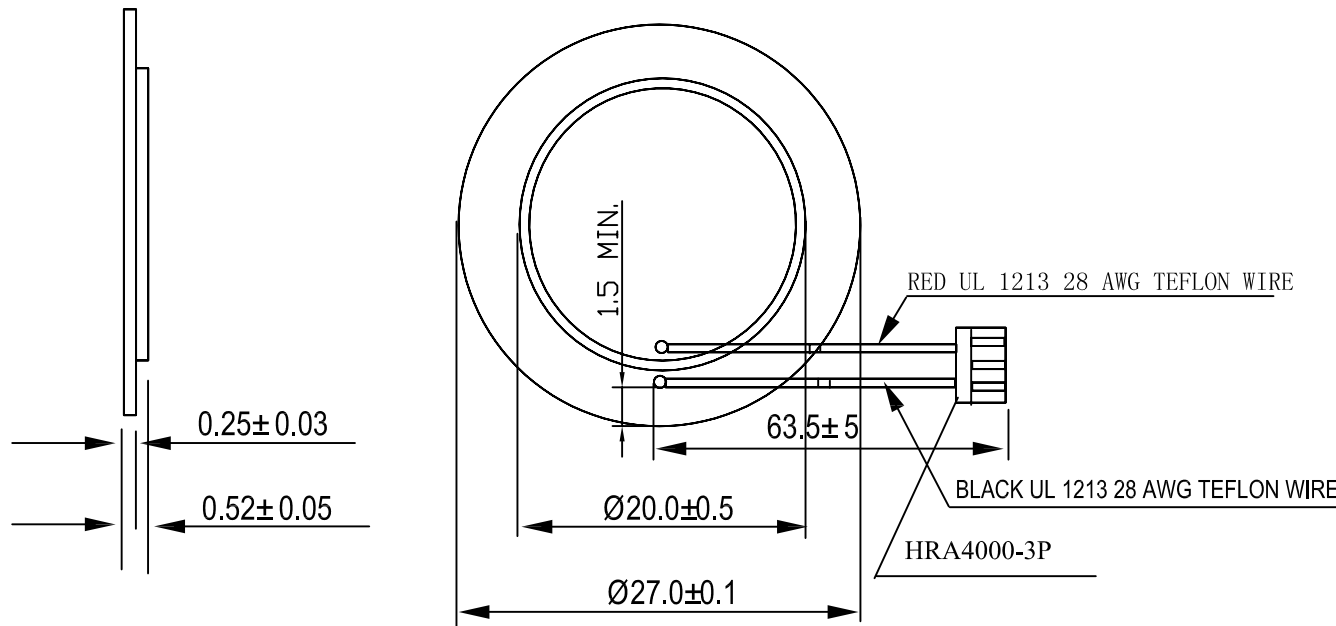



SPECIFICATIONS(AT 25°C)

1. RESONANT FREQUENCY: 4.6±0.5KHz
2. RESONANT RESISTANCE: 350OHM MAX(WITHOUT WIRE)
3. CAPACITANCE: 20000pF±30% AT 100Hz
4. INPUT VOLTAGE: 30Vp-p MAX
5. OPERATING TEMPERATURE: -20°C TO +60°C
6. STORAGE TEMPERATURE: -20°C TO +70°C
7. LEAD WIRE SPEC.: UL 1213# 28 GAUGE
8. DIMENSION: AS DRAWING
- 8.1 PIEZOELECTRIC CERAMICS
- 8.2 BRASS PLATE



⚠ NOTES: WIRE HARNESS AND CONNECT ARE RoHS COMPLIANT, BUT PIEZO DISK IS EXEMPT

NOTE: ALL DIMS ARE IN mm

PROJECTION		 RDI Research Develop Innovate RDI, Inc. 400 Columbus Avenue Valhalla, NY 10595	
SCALE N/A	TITLE PIEZO DISK ASSEMBLY W/UL 1213 28AWG TEFLON WIRE LEADS		
TOLERANCE EXCEPT AS NOTED	DR. JIN	DATE 05/19/06	REF. P/N: DMZ-2746-63.5WL-2P
DEC. INCHES N/A	CK. JY	PRE- BZ	DRAWING NO. SIZE REV. 2835 A B
DEC. MILLIMETERS N/A	THIS DOCUMENT IS OWNED BY, AND THE INFORMATION CONTAINED IN IT IS PROPRIETARY TO, RDI. BY RECEIPT HEREOF THE HOLDER AGREES NOT TO USE THE INFORMATION AND NOT TO DISCLOSE IT TO ANY THIRD PARTY, NOR REPRODUCE THIS DOCUMENT WITHOUT THE WRITTEN CONSENT OF RDI, AND AGREES TO RETURN THIS DOCUMENT FORTHWITH UPON REQUEST.		
ANG. N/A			

06-448	06/22/06	B	ADDED THE NOTES & REMOVED "-NL" FROM PART NUMBER	VF	JY
06-397	06/02/06	A	ADDED THE DIMENSION FROM THE BLACK WIRE TO THE EDGE OF PIEZO DISK	GM	JY
ECN#	DATE	SYM	REVISION RECORD	AUTH	BY