


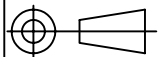
RELIABILITY TEST:

No.	ITEM	TESTING CONDITION	
1	HUMIDITY	50±5°C,93(+2/-3)%RH,96HRS	SOUND PRESSURE LEVEL INITIAL VALUE±10dB
2	HIGH TEMP.	+75±2°C,96HRS	
3	LOW TEMP.	-30±2°C,96HRS	
4	TEMPERATURE CYCLING	-30±2°C,30MINUTES ROOM TEMP.15MINUTES 75±2°C,30MINUTES ROOM TEMP.15MINUTES 5 CYCLES	MAX.CURRENT VALUE±1mA
5	DROP TEST	3 TIMES FROM HEIGHT OF 70cm ONTO THE SURFACE OF 10mm THICK WOODEN BOARD	OSCILLATING FREQUENCY VALUE±300Hz
6	VIBRATION TEST	MAKE THE TEST FOR THE DIRECTIONS OF X Y AND Z (TOTAL 0.5 HOURS) TO-AND -FRO SWEEP TIME(FROM 10 TO 55Hz AND THEN 55 TO 10) UNDER SINGLE AMPLITUDE OF 1.0mm IS 1 MINUTES.	
7	SOLDER HEAT RESISTANCE	THE PART LEADS (PIN) SHALL BE IMMERSIED IN MOLTEN SOLDER MAINTAINED AT 250±10°C FOR A PERIOD OF 30 SECONDS.	AFTER THE TEST PART SHALL MEET SPECIFICATIONS WITHOUT ANY DEGRADATION IN APPEARANCE AND PERFORMANCE.

1	RATED VOLTAGE (V _{P-P})	12
2	RESONANT FREQUENCY (Hz)	4000±500
3	MAX INPUT VOLTAGE (V _{P-P})	30
4	*RATED CURRENT(mA)	≤5
5	CAPACITANCE AT 120Hz (pF)	15000±30%
6	*SOUND OUTPUT AT 10cm (dB)	≥90
7	OPERATING TEMPERATURE (°C)	-20~ + 70°C
8	STORE TEMPERATURE (°C)	-30 ~ + 75°C
9	WEIGHT(g)	2.2
10	HOUSING MATERIAL	PPS

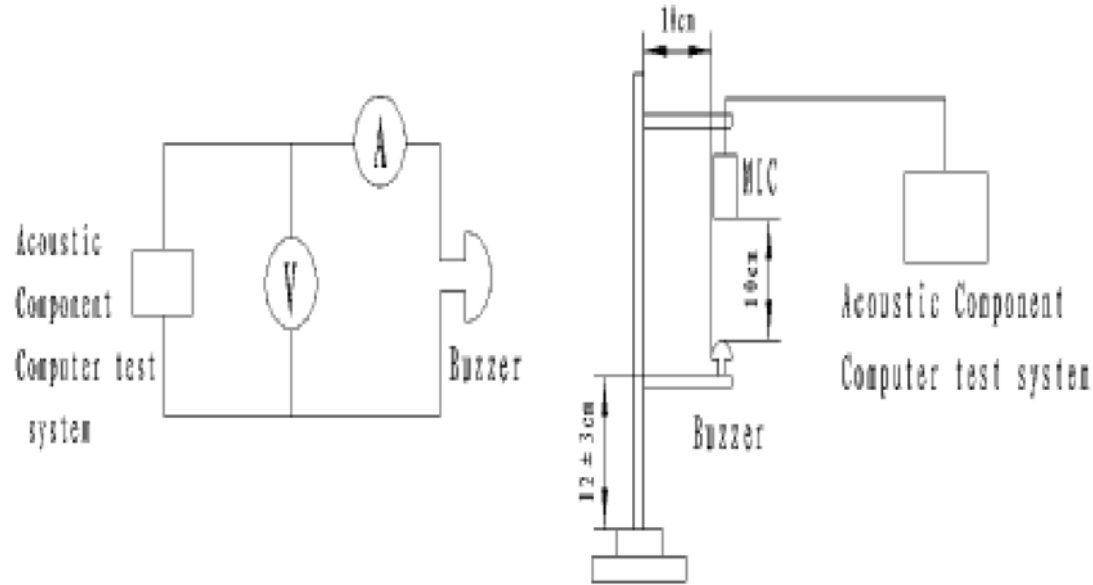
* APPLYING RATED VOLTAGE (RESONANT FREQUENCY,SQUARE WAVE).

NOTE: ALL DIMS ARE IN mm

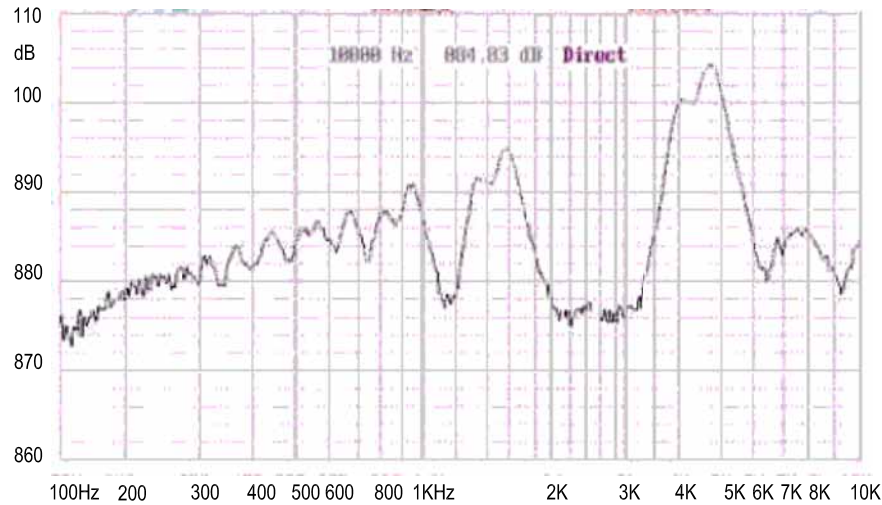
PROJECTION		 Research Develop Innovate RDI, Inc. 400 Columbus Avenue Valhalla, NY 10595	
	SCALE 2:1	TITLE PIEZO ELECTRIC SOUNDER	
TOLERANCE EXCEPT AS NOTED	DR. JIN	DATE 07/12/05	REF. P/N: DMT-2270-PPS-SS-NL
DEC. INCHES N/A	CK. LL	PRE- BZ	DRAWING NO. SIZE 2498 A
DEC. MILLIMETERS ±0.5	SHEET 1 OF 2		
ANG. N/A	THIS DOCUMENT IS OWNED BY, AND THE INFORMATION CONTAINED IN IT IS PROPRIETARY TO, RDI, BY RECEIPT HEREOF THE HOLDER AGREES NOT TO USE THE INFORMATION AND NOT TO DISCLOSE IT TO ANY THIRD PARTY, NOR REPRODUCE THIS DOCUMENT WITHOUT THE WRITTEN CONSENT OF RDI, AND AGREES TO RETURN THIS DOCUMENT FORTHWITH UPON REQUEST.		

ECN#	DATE	SYM	REVISION RECORD	AUTH	BY

TEST METHOD:



FREQUENCY RESPONSE:



NOTE: ALL DIMS ARE IN mm

PROJECTION 		RDI Research Develop Innovate RDI, Inc. 400 Columbus Avenue Valhalla, NY 10595	
SCALE N/A	TITLE PIEZO ELECTRIC SOUNDER		
TOLERANCE EXCEPT AS NOTED	DR. JIN	DATE 07/12/05	REF. P/N: DMT-2270-PPS-SS-NL
DEC. INCHES N/A	CK. LL	PRE- BZ	DRAWING NO. SIZE 2498 A
DEC. MILLIMETERS N/A	SHEET 2 OF 2		
ANG. N/A	REV. -		
THIS DOCUMENT IS OWNED BY, AND THE INFORMATION CONTAINED IN IT IS PROPRIETARY TO, RDI, BY RECEIPT HEREOF THE HOLDER AGREES NOT TO USE THE INFORMATION AND NOT TO DISCLOSE IT TO ANY THIRD PARTY, NOR REPRODUCE THIS DOCUMENT WITHOUT THE WRITTEN CONSENT OF RDI, AND AGREES TO RETURN THIS DOCUMENT FORTHWITH UPON REQUEST.			

ECN#	DATE	SYM	REVISION RECORD	AUTH	BY