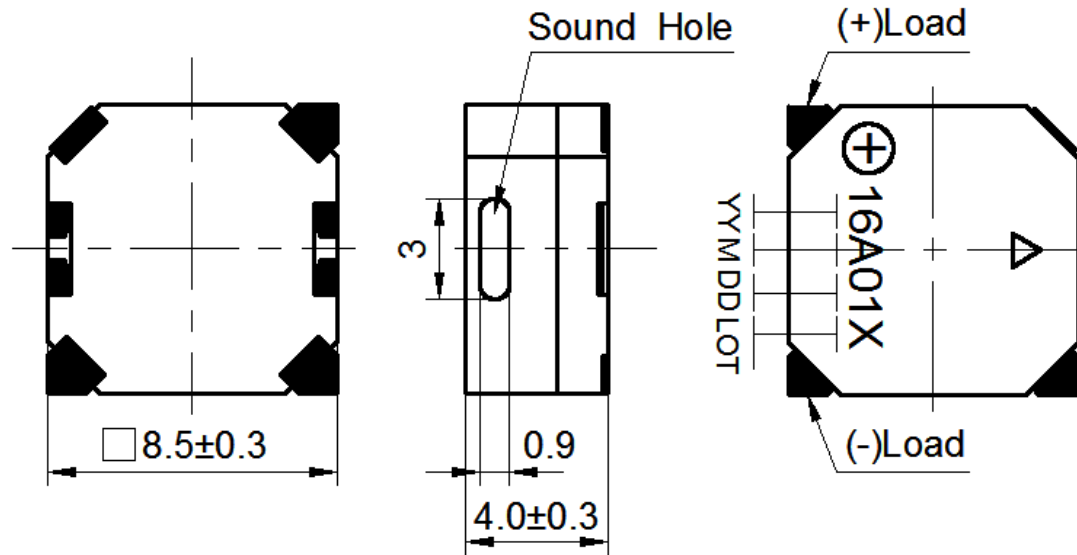
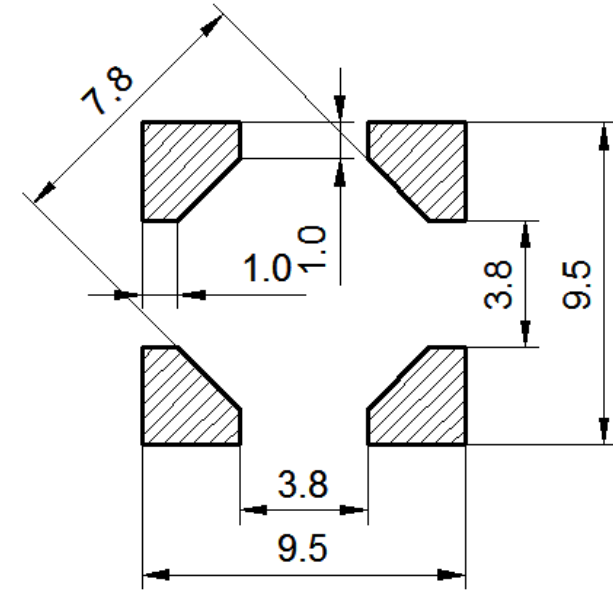


**DIMENSIONS (UNIT: mm)**

Tolerance: ±0.5mm Except Specified



**Recommended PCB Land pattern**


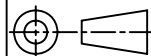


**SMD ELECTRO-MAGNETIC TRANSDUCER**

1	Model No.	DMT-8540-2.7-16R-NL
2	Rated Voltage (V)	3.6
3	Operating Voltage (V)	2.5~4.5
4	Coil Resistance (Ω) (Measuring resistance at 20 °C)	16±3
5	Resonant Frequency (Hz)	2700
6	*Sound Pressure Level (dB/min)	95at10cm at Rated Voltage
7	*Current Consumption (mA/max)	100 at Rated Voltage
8	Operating Temperature (°C)	-20~+70
9	Storage Temperature (°C)	-30~+80
10	Weight (g)	0.5
11	Case material and colour	LCP / Black

\*Applying rated voltage (Resonant frequency, 1/2 duty, Square wave)

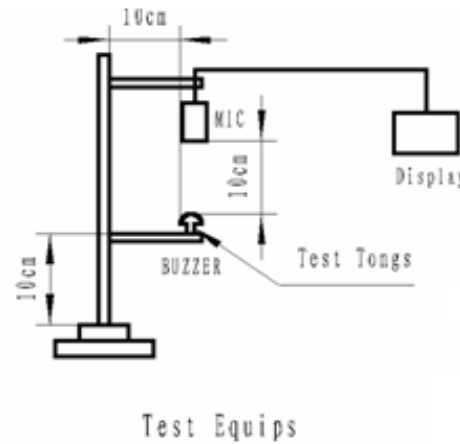
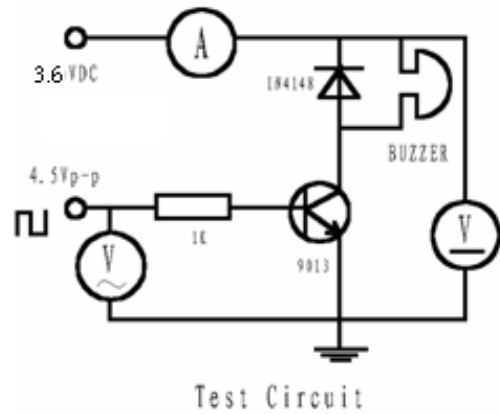
NOTES: ALL DIMS ARE IN mm.

PROJECTION		 <b>RDI</b> Research Develop Innovate RDI, Inc. 333 North Bedford Road, Suite 135, Mount Kisco, NY 10549			
		TITLE Audio transducer, 4.0mm height, RoHS Compliant			
SCALE N/A		DR. Tina	DATE 08/01/16	REF. P/N: DMT-8540-2.7-16R-NL	SHEET 1 OF 4
TOLERANCE EXCEPT AS NOTED		CK. BM	PRE- BZ	DRAWING NO. 4669	SIZE F
DEC. DIMENSION .XX±0.1 .XXX±0.05		REV. -			
ANG. ±5°		THIS DOCUMENT IS OWNED BY, AND THE INFORMATION CONTAINED IN IT IS PROPRIETARY TO, RDI, BY RECEIPT HEREOF THE HOLDER AGREES NOT TO USE THE INFORMATION AND NOT TO DISCLOSE IT TO ANY THIRD PARTY, NOR REPRODUCE THIS DOCUMENT WITHOUT THE WRITTEN CONSENT OF RDI, AND AGREES TO RETURN THIS DOCUMENT FORTHWITH UPON REQUEST.			

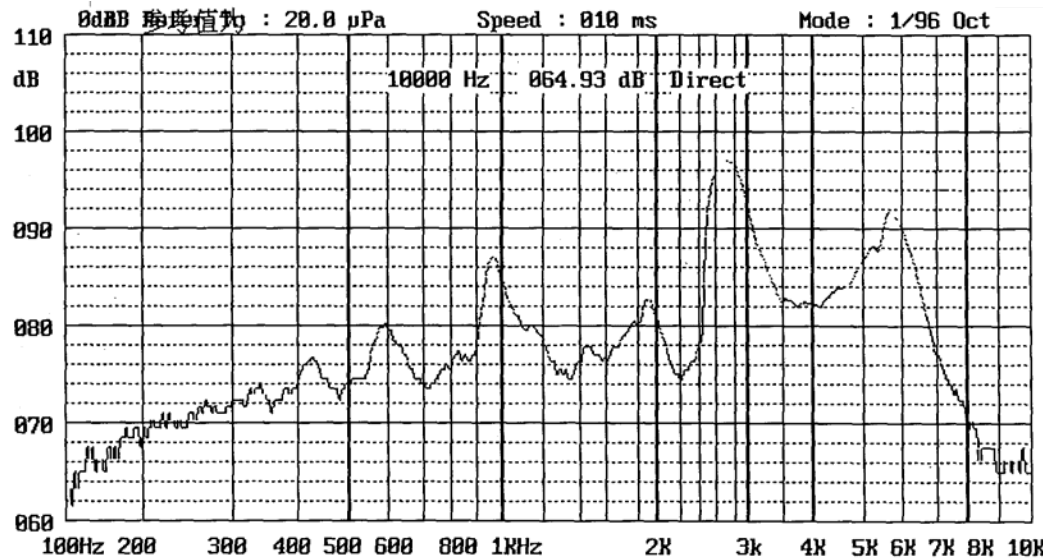
ECN#	DATE	SYM	REVISION RECORD
------	------	-----	-----------------

AUTH	BY
------	----

**TEST METHOD:**



**FREQUENCY RESPONSE:**



**RELIABLY TEST:**

NO.	ITEM	TESTING CONDITION	VARIANCE AFTER TEST
1	High temp. storage life	The part shall be capable of withstanding a storage temperature is +80°C for 120 hours	After the test the part shall meet specifications without any degradation in appearance and performance except SPL shall be initial value $\pm$ 10dB or more.
2	Low temp. storage life	The part shall be capable of withstanding a storage temperature is -30°C for 120 hours	
3	Temp. Cycle	Total 5 cycles, 1 cycle consisting of -30 $\pm$ 2°C, 30 minutes 20 $\pm$ 5°C 15 minutes 80 $\pm$ 2°C, 30 minutes 20 $\pm$ 5°C 15 minutes	
4	Humidity Test	30 $\pm$ 2°C, 90~95% RH, 120 hours	
5	Vibration Test	The part shall be subjected to a vibration cycle is 10Hz in a period of 1 minute. Total peak amplitude shall be 1.52mm(9.3g). The vibration test shall consist of 2 hours per plane in each three mutually perpendicular planes for a total time of 6 hours.	
6	Shock	Sounder shall be measured after being applied shock (980m/s <sup>2</sup> ) for each three mutually perpendicular directions to each of 3 times by half sine wave.	
7	Drop Test	Dropped naturally from 700mm height onto the surface of 10mm thick wooden board. 2 directions-upper and side of the part are to be applied.	
8	Lead pull	The part shall be pushed with a force of 9.8N for 10 $\pm$ 1 seconds behind the part. 	
9	Recommended temp. Profile for Reflow Oven	Shown in Fig.1	

**Warranty:**For a period of one year from date of manufacture under normal operations.

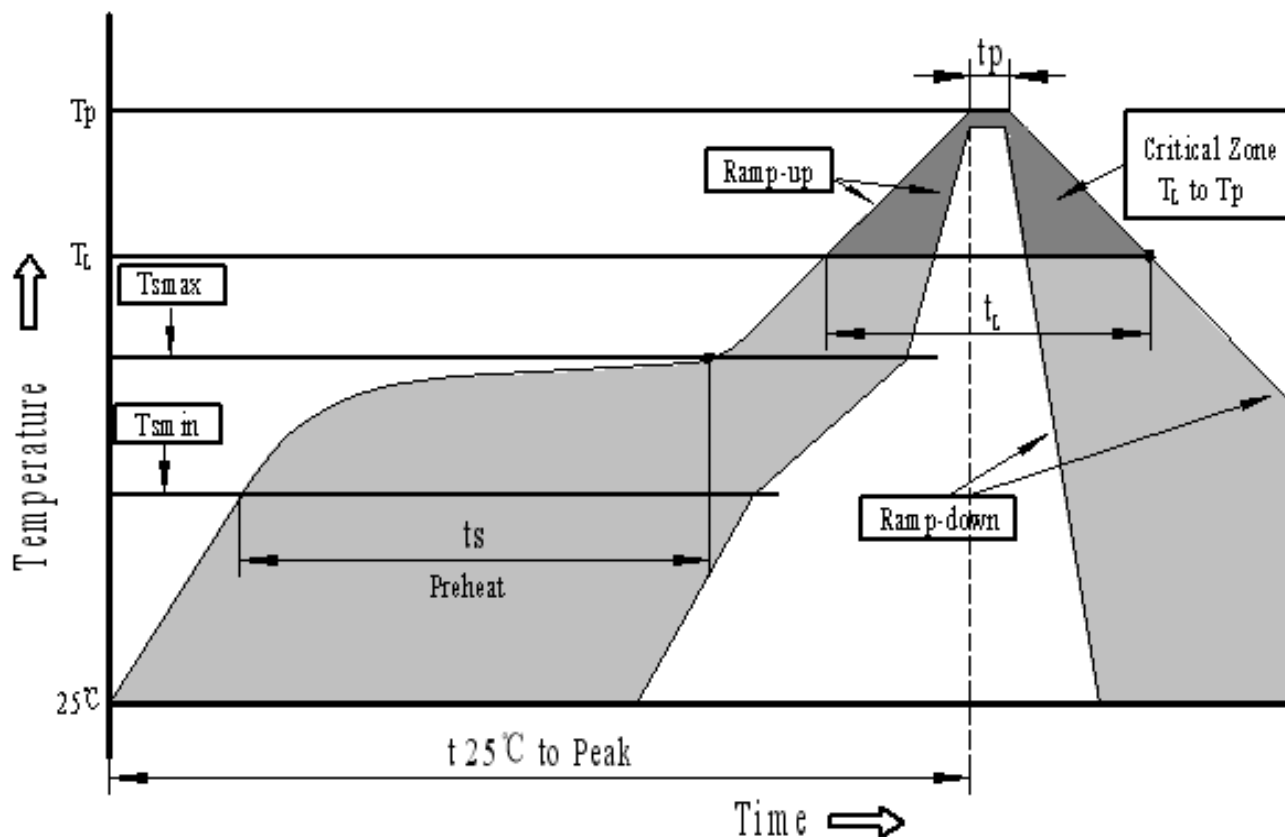
NOTES: ALL DIMS ARE IN mm.

PROJECTION 		Research Develop Innovate RDI, Inc. 333 North Bedford Road, Suite 135, Mount Kisco, NY 10549	
SCALE N/A		TITLE Audio transducer, 4.0mm height, RoHS Compliant	
TOLERANCE EXCEPT AS NOTED	DR. Tina	DATE 08/01/16	REF. P/N: DMT-8540-2.7-16R-NL SHEET 2 OF 4
DEC. DIMENSION .XX $\pm$ 0.1 .XXX $\pm$ 0.05	CK. BM	PRE- BZ	DRAWING NO. 4669 SIZE F REV. -
THIS DOCUMENT IS OWNED BY, AND THE INFORMATION CONTAINED IN IT IS PROPRIETARY TO, RDI, BY RECEIPT HEREOF THE HOLDER AGREES NOT TO USE THE INFORMATION AND NOT TO DISCLOSE IT TO ANY THIRD PARTY, NOR REPRODUCE THIS DOCUMENT WITHOUT THE WRITTEN CONSENT OF RDI, AND AGREES TO RETURN THIS DOCUMENT FORTHWITH UPON REQUEST.			

ECN#	DATE	SYM	REVISION RECORD	AUTH	BY
------	------	-----	-----------------	------	----


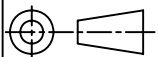
ANG.  $\pm$ 5°

### Recommended Temp. Profile for Reflow Oven (Fig.1)

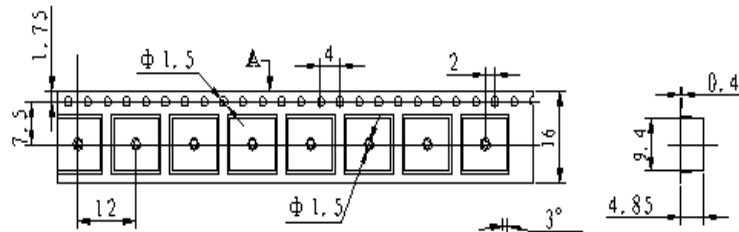


Profile Feature	Pb-Free Assembly
Average ramp-up rate( $T_L$ to $T_p$ )	3°C/second max.
Preheat	
-Temperature Min.( $T_{s\ min}$ )	150°C
-Temperature Min.( $T_{s\ max}$ )	200°C
-Temperature Min.( $t_s$ )	60~180 seconds
$T_{s\ max}$ to $T_L$	
-Ramp-up Rate	3°C/second max.
Time maintained above:	
-Temperature( $T_L$ )	217°C
-Time( $T_L$ )	60~150 seconds
Peak temperature( $T_p$ )	245°C+0/-5°C
Time within 5°C of actual Peak temperature (tp)	6 seconds max.
Ramp-down Rate	6°C/second max.
Time 25°C to Peak Temperature	8 minutes max.

NOTES: ALL DIMS ARE IN mm.

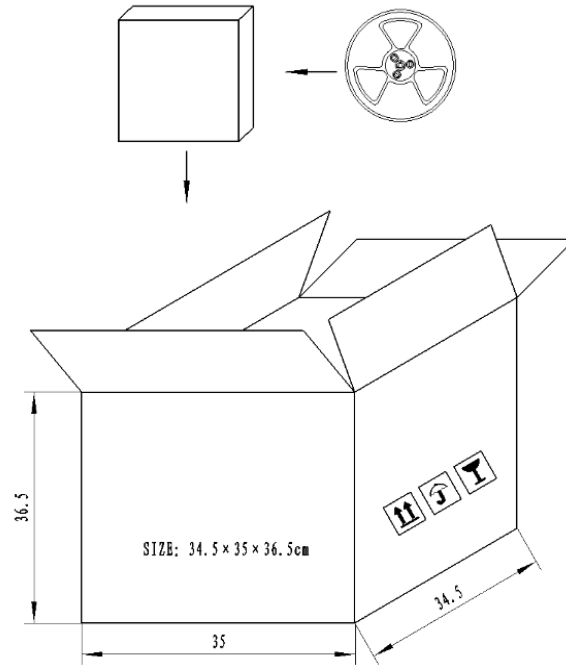
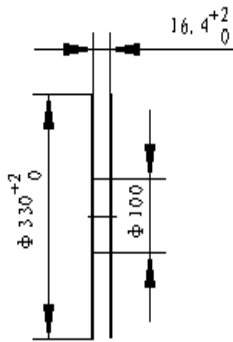
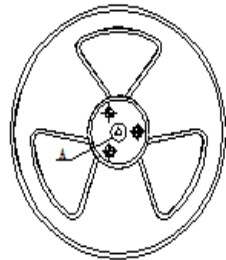
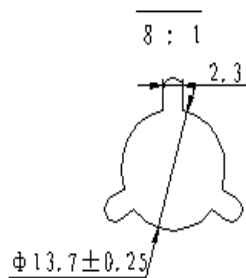
PROJECTION		 <b>Research Develop Innovate</b> RDI, Inc. 333 North Bedford Road, Suite 135, Mount Kisco, NY 10549	
		SCALE N/A TITLE Audio transducer, 4.0mm height, RoHS Compliant	
TOLERANCE EXCEPT AS NOTED	DR. Tina	DATE 08/01/16	REF. P/N: DMT-8540-2.7-16R-NL
DEC. DIMENSION .XX±0.1 .XXX±0.05	CK. BM	PRE- BZ	DRAWING NO. 4669 SIZE F
ANG. ±5°	SHEET 3 OF 4 REV. - THIS DOCUMENT IS OWNED BY, AND THE INFORMATION CONTAINED IN IT IS PROPRIETARY TO, RDI, BY RECEIPT HEREOF THE HOLDER AGREES NOT TO USE THE INFORMATION AND NOT TO DISCLOSE IT TO ANY THIRD PARTY, NOR REPRODUCE THIS DOCUMENT WITHOUT THE WRITTEN CONSENT OF RDI, AND AGREES TO RETURN THIS DOCUMENT FORTHWITH UPON REQUEST.		

**PACKING:**



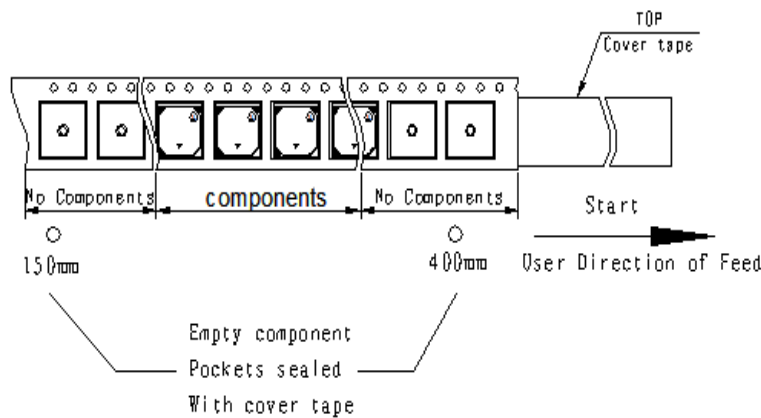
**NOTE:**

1. 10 sprocket hole pitch cumulative tolerance +/-0.20mm.
2. All dimensions meet EIA-481-D requirements.
3. Thickness: 0.4 +/- 0.05mm.
4. Component loaded per 13' reel: 1000 pcs.



**NOTES:**

1. 1000 PCS per box
2. Total 10 boxes per carton
3. Total 10000 PCS carton



NOTES: ALL DIMS ARE IN mm.

PROJECTION		<b>RDI</b> Research Develop Innovate RDI, Inc. 333 North Bedford Road, Suite 135, Mount Kisco, NY 10549		
SCALE N/A		TITLE Audio transducer, 4.0mm height, RoHS Compliant		
TOLERANCE EXCEPT AS NOTED	DR. Tina	DATE 08/01/16	REF. P/N: DMT-8540-2.7-16R-NL	SHEET 4 OF 4
DEC. DIMENSION .XX±0.1 .XXX±0.05	CK. BM	PRE- BZ	DRAWING NO. 4669	SIZE F
THIS DOCUMENT IS OWNED BY, AND THE INFORMATION CONTAINED IN IT IS PROPRIETARY TO, RDI, BY RECEIPT HEREOF THE HOLDER AGREES NOT TO USE THE INFORMATION AND NOT TO DISCLOSE IT TO ANY THIRD PARTY, NOR REPRODUCE THIS DOCUMENT WITHOUT THE WRITTEN CONSENT OF RDI, AND AGREES TO RETURN THIS DOCUMENT FORTHWITH UPON REQUEST.				
ANG. ±5°				

ECN#	DATE	SYM	REVISION RECORD	AUTH	BY
------	------	-----	-----------------	------	----