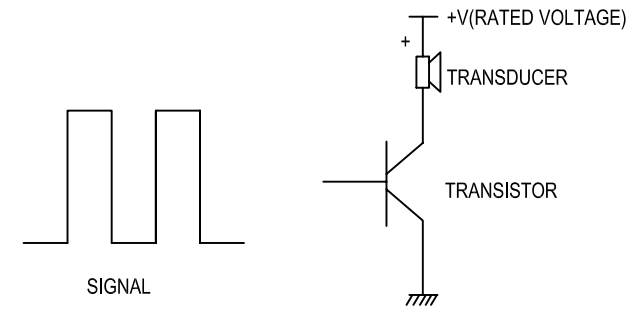


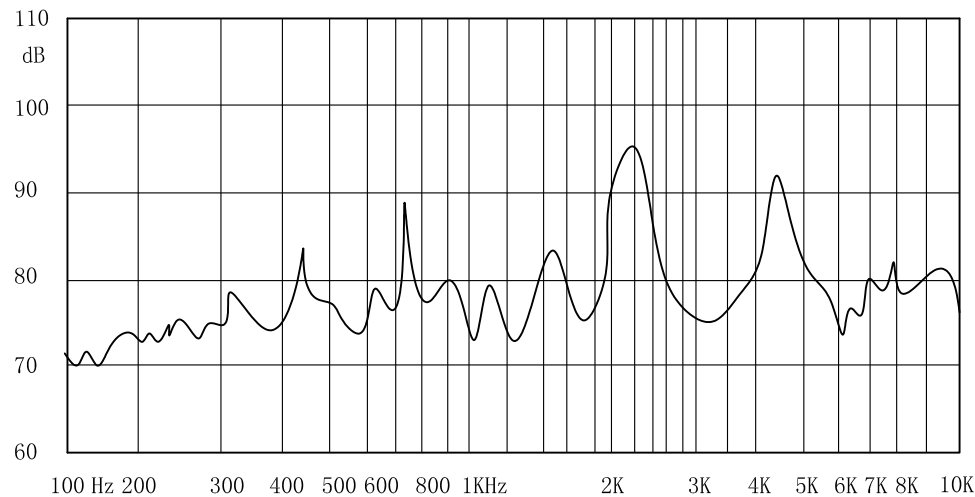
RECOMMENDED DRIVING CIRCUIT

RESONANT FREQUENCY, 1/2 DUTY CYCLE, SQUARE WAVE SIGNAL
 AMPLITUDE SHOULD BE LARGE ENOUGH TO SATURATE THE TRANSISTOR



NOTE: ALL DIMS ARE IN mm

FREQ. RESPONSE



1	MODEL No.	DMT-11P-50-NL
2	RATED VOLTAGE(V)	1.5
3	OPERATING VOLTAGE(V)	1~2
4	RESONANT FREQUENCY(Hz)	2048
5	COIL RESISTANCE(Ohm)	50±4
6	*SOUND OUTPUT AT 10cm(dB)	≥85
7	*CURRENT CONSUMPTION(mA)	≤15
8	OPERATING TEMPERATURE	-20~+70
9	STORAGE TEMPERATURE(°C)	-30~+80
10	WEIGHT(g)	1.3

*APPLYING RATED VOLTAGE(RESONANT FREQUENCY 1/2 DUTY, SQUARE WAVE)

PROJECTION		RDI Research Develop Innovate RDI, Inc. 400 Columbus Avenue Valhalla, NY 10595	
SCALE	2.5:1	TITLE	
ELECTRO-MAGNETIC TRANSDUCER-RoHS COMPLIANT			
TOLERANCE EXCEPT AS NOTED	DR. Jin	DATE	02/24/06
DEC. INCHES	N/A	REF.	P/N: DMT-11P-50-NL
DEC. MILLIMETERS	N/A	CK. JY	PRE- BZ
ANG.	N/A	DRAWING NO.	2735
		SIZE	A
		REV.	-

ECN#	DATE	SYM	REVISION RECORD	AUTH	BY

THIS DOCUMENT IS OWNED BY, AND THE INFORMATION CONTAINED IN IT IS PROPRIETARY TO, RDI, BY RECEIPT HEREOF THE HOLDER AGREES NOT TO USE THE INFORMATION AND NOT TO DISCLOSE IT TO ANY THIRD PARTY, NOR REPRODUCE THIS DOCUMENT WITHOUT THE WRITTEN CONSENT OF RDI, AND AGREES TO RETURN THIS DOCUMENT FORTHWITH UPON REQUEST.