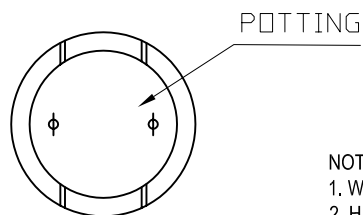
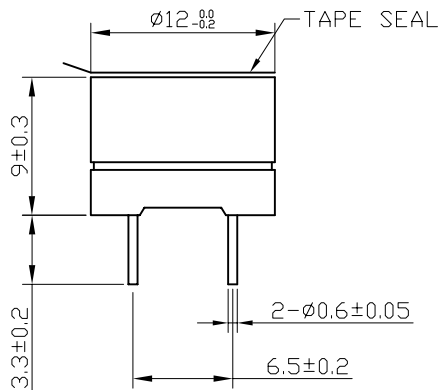


TOP VIEW



NOTE:
 1. WAVE SOLDERING: 260 C, 2-3 SECONDS
 2. HAND SOLDERING: 350 C, 2-3 SECONDS
 3. HOUSING HDT: 135 C.

MATERIALS:

ITEM	NAME	DESCRIPTION	QTY
1	HOUSING	NORYL SEI-GFN2 UL94V-1	1
2	PCB	FR4 TIN PLATED	1
3	PIN LEAD	TIN PLATED BRASS	1
4	"T" IRON	IRON, NICKEL PLATED	1
5	DIAPHRAGM	NI-MO ALLOY	1
6	MAGNET	FERRITE	1
7	POTTING	EPOXY+CARBONIC ACID	

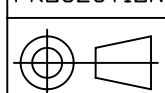
SPECIFICATIONS:

ITEMS	SPECIFICATIONS
RATED VOLTAGE	(Vp-p(DC)) 3.3
OPERATING VOLTAGE	(Vp-p(DC)) 2 ~ 5
COIL RESISTANCE	(OHM) 16±2
RATED CURRENT	(mA) 70 MAX.
SOUND PRESSURE LEVEL	(dB) 85 MIN. @10cm
RESONANT FREQUENCY	(Hz) 2200±150
OPERATING TEMP.	(°C) -30 ~ +85

RELIABILITY TEST:

DROP TEST	DROP A BUZZER NATURALLY FROM THE HIGH OF 700MM ONTO THE SURFACE OF 10MM THICK WOODEN BOARD. TWO DIRECTIONS THAT IS UPPER TO BE APPLIED FOR THIS DROP TEST.	ALL SPECIFICATIONS MUST BE SATISFIED AFTER THE TEST
VIBRATION TEST	MAKE THE TEST FOR DIRECTIONS OF X, Y AND Z, FOR 2 Hrs. EACH. TO-AND-FRO SWEEP TIME (FROM 10 TO 55Hz AND THEN 55 TO 10Hz) IS 1 MINUTE.	ALL SPECIFICATIONS MUST BE SATISFIED AFTER THE TEST
TEMP/HUMIDITY CYCLE TEST	MAKE THE TEST FOR 10 CYCLES WITHOUT APPLYING POWER AS FIG2. THEN EXPOSE TO ROOM TEMP FOR 2 Hrs.	ALL SPECIFICATIONS MUST BE SATISFIED AFTER THE TEST
TEMP CYCLE TEST	MAKE THE TEST FOR 5 CYCLES WITHOUT APPLYING POWER AS FIG1. THEN EXPOSE TO ROOM TEMP FOR 2 Hrs.	ALL SPECIFICATIONS MUST BE SATISFIED AFTER THE TEST
LIFE TEST IN THE ROOM TEMP	OPERATE THE BUZZER CONTINUOUSLY FOR 1000 Hrs.	ALL SPECIFICATIONS MUST BE SATISFIED AFTER THE TEST
STORAGE IN LOW TEMP	STORAGE IN -30°C TEST BOX FOR 96 Hrs. THEN EXPOSE TO THE ROOM TEMP FOR 2 Hrs.	ALL SPECIFICATIONS MUST BE SATISFIED AFTER THE TEST
STORAGE IN HIGH TEMP	STORAGE IN 85°C TEST BOX FOR 96 Hrs. THEN EXPOSE TO THE ROOM TEMP FOR 2 Hrs.	ALL SPECIFICATIONS MUST BE SATISFIED AFTER THE TEST
OPERATING TEMPERATURE	-30~+85°C	ALL SPECIFICATIONS MUST BE SATISFIED AFTER THE TEST
ITEM	METHOD OF THE TEST	STANDARD

PROJECTION



Research Develop Innovate

RDI, Inc. 400 Columbus Avenue Valhalla, NY 10595

SCALE 2:1 TITLE AUDIO TRANSDUCER-3.3-RoHS COMPLIANT

TOLERANCE EXCEPT AS NOTED	DR. Jin	DATE 01/25/06	REF. P/N: DMT-1233-NL
DEC. INCHES N/A	CK. JY	PRE-BZ	DRAWING NO. 2702 SIZE A REV. -
DEC. MILLIMETERS ±0.2	THIS DOCUMENT IS OWNED BY, AND THE INFORMATION CONTAINED IN IT IS PROPRIETARY TO, RDI. BY RECEIPT HEREOF THE HOLDER AGREES NOT TO USE THE INFORMATION AND NOT TO DISCLOSE IT TO ANY THIRD PARTY, NOR REPRODUCE THIS DOCUMENT WITHOUT THE WRITTEN CONSENT OF RDI, AND AGREES TO RETURN THIS DOCUMENT FORTHWITH UPON REQUEST.		
ANG. N/A			

ECN#	DATE	SYM	REVISION RECORD	AUTH	BY