

PCB LAYOUT RECOMMENDED

NOTE: ALL DIMS ARE IN mm.

SPECIFICATIONS :

1. ELECTRICAL :

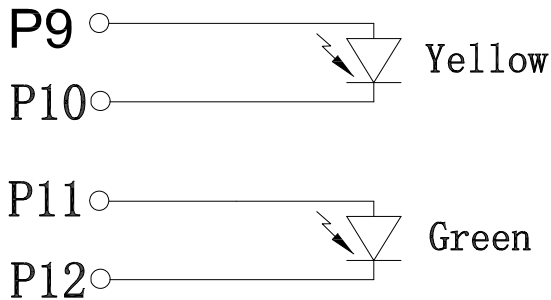
- 1.1 Voltage Rating : 125 VAC RMS.
- 1.2 Current Rating : 1.5 AMP.
- 1.3 Contact Resistance : 30 mΩ MAX.
- 1.4 Insulation Resistance : 500 MΩ MIN @500NDC.
- 1.5 Dielectric Material : 1000 V AC RMS 50Hz OR 60Hz, 1 MIN.

2. MATERIAL :

- 2.1 Housing : PBT UL 94V-0
- 2.2 Contact : Diameter 0.45mm Phosphor Bronze Gold Plating Over Nickel.
- 2.3 Shield : 0.20~0.25mm Thickness BRASS With Ni Plated.
- 2.4 Mating/Unmating Force : 2.2 Kgf MAX.
- 2.5 Retention Strength : 7.7 Kgf MIN Between Jack and Plug.
- 2.6 Operating Life : 750 Cycles MIN.

3. ENVIRONMENTAL :

- 3.1 Storage : -40°C ~ +85°C
- Relative Humidity <70%
- 3.2 Operation : -40°C ~ +85°C



RDI PN : 3053S2-2x88XL-NL
 X= Contact plating- 1=1μ", 2=3μ", 3=6μ", 4=15μ", 5=30μ", 6=50μ"

PROJECTION		RDI Research Develop Innovate RDI, Inc. 333 North Bedford Road, Suite 135, Mount Kisco, NY 10549		
	SCALE UNDEFINED	TITLE Dual [1x2] 8P8C Jack with LEDs, panel grounds, thru hole, RoHS Compliant		
TOLERANCE EXCEPT AS NOTED	DR. Tina	DATE 08/23/19	REF. P/N: 3053S2-2x88XL-NL	SHEET 1 OF 1
DEC. MILLIMETERS .XX±0.10 .XX±0.25 .XXX±0.35	CK. BM	PRE-JK	DRAWING NO. 4971	SIZE A
ANG. .X±3.0°		THIS DOCUMENT IS OWNED BY, AND THE INFORMATION CONTAINED IN IT IS PROPRIETARY TO, RDI, BY RECEIPT HEREOF THE HOLDER AGREES NOT TO USE THE INFORMATION AND NOT TO DISCLOSE IT TO ANY THIRD PARTY, NOR REPRODUCE THIS DOCUMENT WITHOUT THE WRITTEN CONSENT OF RDI, AND AGREES TO RETURN THIS DOCUMENT FORTHWITH UPON REQUEST.		

ECN#	DATE	SYM	REVISION RECORD	AUTH	BY
------	------	-----	-----------------	------	----