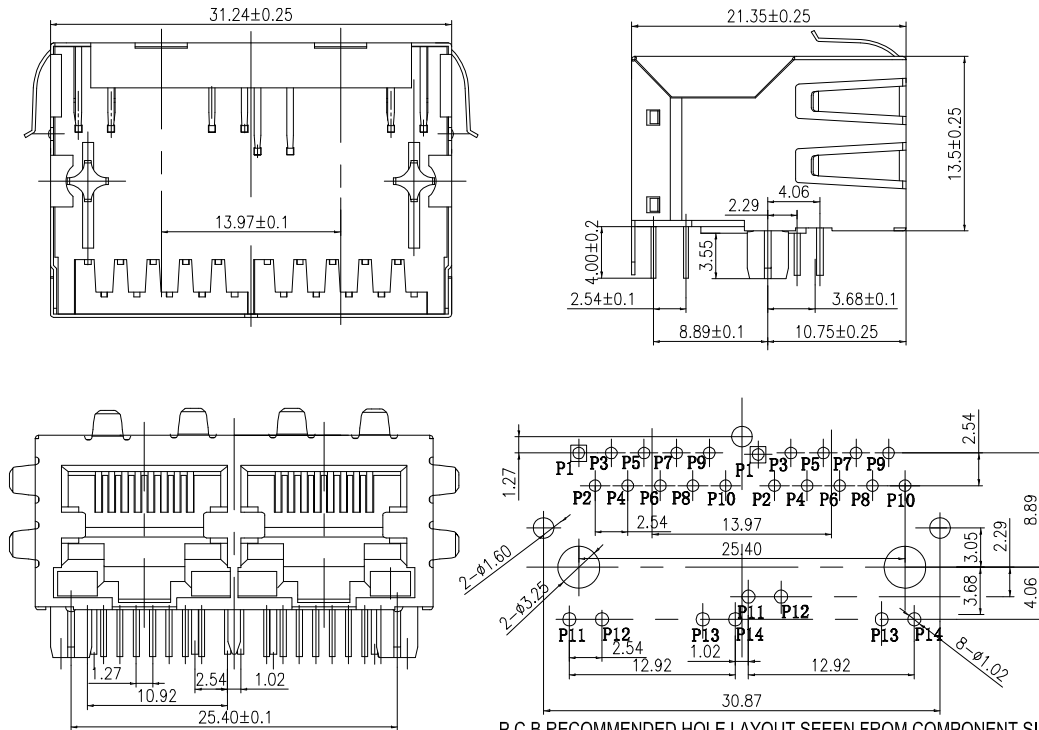
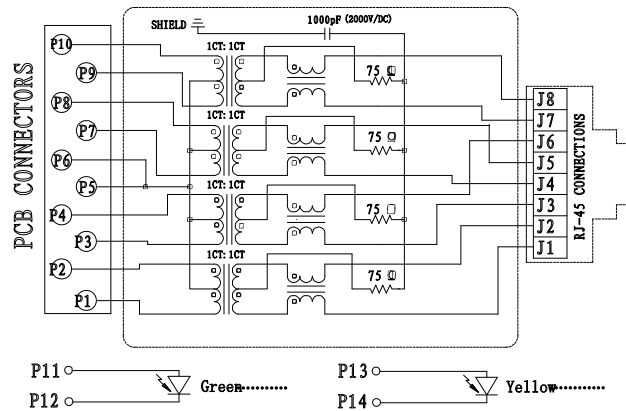


MECHANICALS :



P.C.B RECOMMENDED HOLE LAYOUT SEEN FROM COMPONENT SIDE
ALL CENTER LINE DIMENSIONS ARE BASIC

SCHEMATICS :



SPECIFICATIONS :

1. ELECTRICAL : @25°C

- 1.1 Isolation Voltage : 1500 V/AC (Input to Output)
- 1.2 OCL : 350uH Minimum @100KHz 100mV 8mA DC
- 1.3 Insertion Loss : -1.2 dB Maximum @100KHz ~ 100MHz
- 1.4 Return Loss : -18 dB Minimum @1MHz ~ 30MHz
-14 dB Minimum @30MHz ~ 60MHz
-12 dB Minimum @60MHz ~ 80MHz
-10 dB Minimum @80MHz ~ 100MHz
- 1.5 Common Mode Rejection : -30 dB Minimum @1MHz ~ 100MHz
- 1.6 Cross Talk : -30 dB Minimum @1MHz ~ 100MHz

2. OPERATING AND STORAGE TEMPERATURE :

- 2.1 Operating Temperature : -40°C ~ +85°C
- 2.2 Storage Temperature : -40°C ~ +85°C

3. CONNECTOR MATERIAL :

- 3.1 Housing : Thermoplastic UL 94V-0
- 3.2 Contact / Shield : Cooper alloy
- 3.3 Shield Plating : Nickel
- 3.4 Contact Plating : Selective gold 6u", 15u", 30u", 50u" MIN.

4. TOLERANCES COMPLY WITH F.C.C DIMENSION REQUIREMENTS

5. DURABILITY : 800Mating MIN.

6. MEETS OR EXCEEDS IEEE802.3af STANDARDS INCLUDING 350uH MIN OCL @100KHz 100mV 8mA DC

LED Specification

Standard LED Color	LED Wavelength	Forward (V MAX)	Typical (V TYP)	Luminous Intensity
Green	560-580 nm	2.5V	2.1-2.2V	9-25 MCD
Yellow	580-610 nm	2.5V	2.1-2.2V	9-30 MCD

- 1. LED intensity/wavelength measured with Photo Research PR-650 Colorimeter
- 2. With a forward current of 20 mA, Absolute Maximum Ratings (T_a=25°C)

RDI PN : 3053M-2x88X-NL

X= Contact plating- 1=1µ", 2=3µ", 3=6µ", 4=15µ", 5=30µ", 6=50µ"

NOTE: ALL DIMS ARE IN mm.

PROJECTION		Research Develop Innovate RDI, Inc. 333 North Bedford Road, Suite 135, Mount Kisco, NY 10549		
SCALE UNDEFINED	TITLE Dual 1x23 RJ45 Jack, 100/1000 Base-Ten Magnetics, LEDs, RoHS Compliant			
TOLERANCE EXCEPT AS NOTED	DR. Tina	DATE 08/22/19	REF. P/N: 3053M-2x88X-NL	SHEET 1 OF 1
DEC. MILLIMETERS .XX±0.10 .XXX±0.35	CK. BM	PRE- JK	DRAWING NO. 4978	SIZE A
ANG. .X±3.0°	THIS DOCUMENT IS OWNED BY, AND THE INFORMATION CONTAINED IN IT IS PROPRIETARY TO, RDI, BY RECEIPT HEREOF THE HOLDER AGREES NOT TO USE THE INFORMATION AND NOT TO DISCLOSE IT TO ANY THIRD PARTY, NOR REPRODUCE THIS DOCUMENT WITHOUT THE WRITTEN CONSENT OF RDI, AND AGREES TO RETURN THIS DOCUMENT FORTHWITH UPON REQUEST.			

ECN#	DATE	SYM	REVISION RECORD	AUTH	BY
------	------	-----	-----------------	------	----