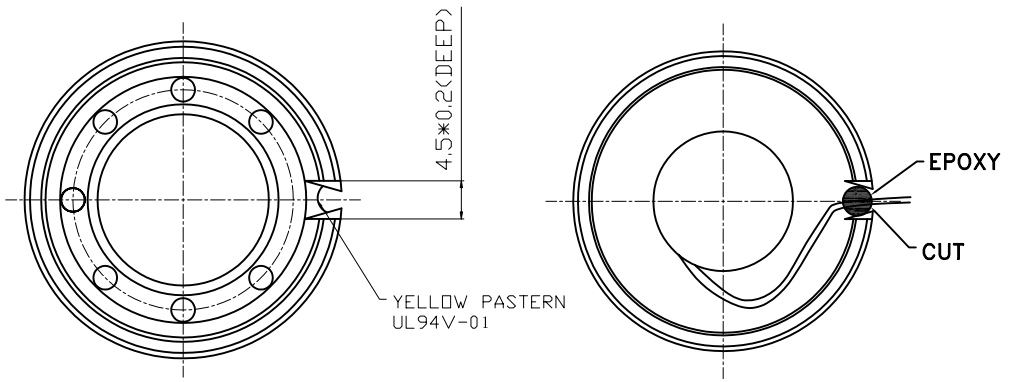
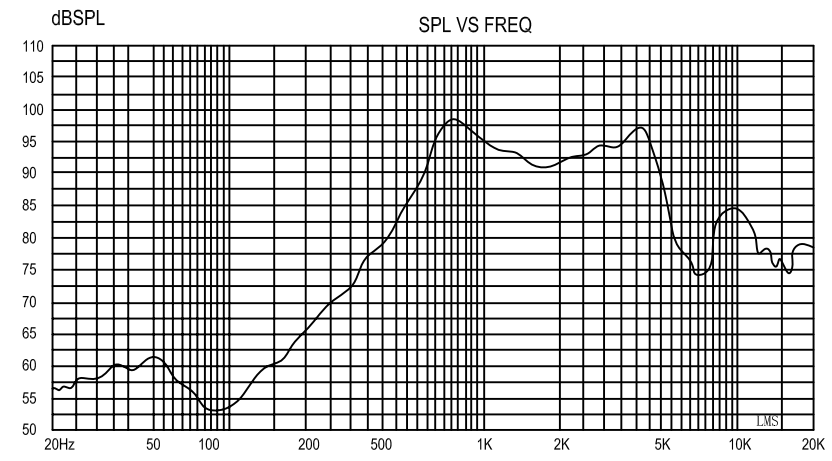



- NOTES:
1. COPPER WIRE:SDHT;0.05mm
 2. GLUEWATER.: 8064
 3. WIRE/CONNECTOR PULL FORCE:
BOTH WIRES: 0.7Kg FORCE
SINGLE WIRE: 0.5Kg FORCE
 4. MYLAR BLACK CONE




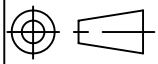
NOTE: ALL DIMS ARE IN mm.

PROJECTION		 RDI Research Develop Innovate RDI, Inc. 333 North Bedford Road, Suite 135, Mount Kisco, NY 10549			
SCALE N/A		TITLE SPEAKER-RoHS COMPLIANT			
TOLERANCE EXCEPT AS NOTED	DR. LUCIA	DATE 08/12/04	REF. P/N 28A1050-8B-(IP)-0428-NL	SHEET 1 OF 2	
DEC. INCHES N/A	CK. JY	PRE-SP	DRAWING NO. 2037	SIZE F	REV. E
DEC. MILLIMETERS ±0.3	THIS DOCUMENT IS OWNED BY, AND THE INFORMATION CONTAINED IN IT IS PROPRIETARY TO, RDI. BY RECEIPT HEREOF THE HOLDER AGREES NOT TO USE THE INFORMATION AND NOT TO DISCLOSE IT TO ANY THIRD PARTY, NOR REPRODUCE THIS DOCUMENT WITHOUT THE WRITTEN CONSENT OF RDI, AND AGREES TO RETURN THIS DOCUMENT FORTHWITH UPON REQUEST.				
ANG. ±0°-.5'					

ECN#	DATE	SYM	REVISION RECORD	AUTH	BY
08-431	12/02/08	E	CHANGED THE DRAWING TO NEW PRINT	BILL	JY
07-356	07/19/07	D	Add DATE CODE AND BOTH NOTES	BILL	JY
07-244	04/25/07	C	REVISED THE PART:SEE DRAWING	CP	JY
06-566	08/16/06	B	REVISED THE PRINT:SEE DRAWING	CP	JY
06-431	06/16/06	A	CHANGED THE PRINT:SEE VOIC COPY	VF	JY

NO.	ITEM	SPECIFICATION	TEST CONDITION
1	NOMINAL IMPEDANCE	8 OHM ±15 %	AT 1000Hz 1.0 V
2	RESONANCE FREQUENCY	800 ± 160Hz	WITHOUT BAFFLE 1.0V
3	OUTPUT S.P.L	90± 3 dB 0.1W / 10cm	AT 800,1000,1200,1500,2000Hz
4	RATED INPUT POWER	0.5W	
5	MAX. INPUT POWER	0.8W	
6	FREQUENCY RESPONSE	Fo ~ 5.9KHz	OUTPUT S.P.L - 10 dB
7	BUZZES & RATTLES	SHOULD NOT BE AUDIBLE BUZZ AND RATTLE	AT 2V SINE WAVE BETWEEN 200Hz ~ 2KHz
8	DISTORTION	5% MAX.	RATED POWER INPUT AT 1000 Hz
9	POLARITY	WHEN A POSITIVE D.C CURRENT IS APPLIED TO THE VOICE COIL TERMINAL MARKED +, THE DIAPHRAGM SHALL MOVE FORWARD	
10	FLUX DENSITY	--- GAUSS	
11	MAGNET	SIZE: Ø12.5X2.0NdFeB	
12	WEIGHT OF PART WITHOUT ASSEMBLY	9.12749g	
13	HIGH CONDITION TEMPERATURE TEST	AFTER HAVING BEEN IN A TEST CHAMBER FOR 96 HOURS AT THE CONDITION OF +60°C 20 ~25% R.H AND THEN LEFT 2 HOURS IN A ROOM. SHOULD SATISFY THE DESCRIBED UNDER TEST CONDITIONS 1 THROUGH 8.	
14	LOW CONDITION TEMPERATURE TEST	AFTER HAVING BEEN IN A TEST CHAMBER FOR 96 HOURS AT THE CONDITION OF -25°C± 3°C AND THEN LEFT 2 HOURS IN A ROOM. SHOULD SATISFY THE DESCRIBED UNDER TEST CONDITIONS 1 THROUGH 8.	
15	HUMIDITY TEST	AFTER HAVING BEEN IN A TEST CHAMBER FOR 96 HOURS AT THE CONDITION OF +40°C 90 ~ 95% R.H AND THEN LEFT 4 HOURS IN A ROOM. SHOULD SATISFY THE TEST DESCRIBED UNDER TEST CONDITIONS 1 THROUGH 8.	
16	LOAD TEST	AT 0.5W WHITE NOISE IS APPLIED FOR 96 HOURS AND THEN SHOULD SATISFY THE TEST DESCRIBED UNDER TEST CONDITIONS 1 THROUGH 8.	
17	DROP TEST	DROP THE SPEAKERS CONTAINED IN NORMAL BOX ONTO A BOARD 5mm THICK 2 TIMES FROM A HEIGHT OF 1.0m AND THEN SHOULD SATISFY THE TEST DESCRIBED UNDER TEST CONDITIONS 1 THROUGH 8.	
18	OPERATING TEMPERATURE	-25°C TO + 60°C	
19	STORAGE TEMPERATURE	-40°C TO + 70°C	
20	ACCELERATED OPERATIONAL TEST	USE A SIGNAL GENERATOR, INPUT 4V VOLTAGE AND 800Hz IMMOVABLE FREQUENCY SIGNAL FOR 48 HOURS, SHOULD SATISFY THE TEST DESCRIBED UNDER TEST CONDITIONS 1 THROUGH 8.	

NOTE: ALL DIMS ARE IN mm.

PROJECTION				Research Develop Innovate	
		RDI, Inc. 333 North Bedford Road, Suite 135, Mount Kisco, NY 10549			
SCALE	N/A	TITLE SPEAKER-RoHS COMPLIANT			
TOLERANCE EXCEPT AS NOTED	DR. LUCIA	DATE 08/12/04	REF. P/N 28A1050-8B-(IP)-0428-NL	SHEET 2 OF 2	
DEC. INCHES N/A	CK. JY	PRE- SP	DRAWING NO. 2037	SIZE F	REV. E
DEC. MILLIMETERS ±0.3	THIS DOCUMENT IS OWNED BY, AND THE INFORMATION CONTAINED IN IT IS PROPRIETARY TO, RDI, BY RECEIPT HEREOF THE HOLDER AGREES NOT TO USE THE INFORMATION AND NOT TO DISCLOSE IT TO ANY THIRD PARTY, NOR REPRODUCE THIS DOCUMENT WITHOUT THE WRITTEN CONSENT OF RDI, AND AGREES TO RETURN THIS DOCUMENT FORTHWITH UPON REQUEST.				
ANG. ±0°-.5'					

ECN#	DATE	SYM	REVISION RECORD	AUTH	BY
08-431	12/02/08	E	CHANGED THE DRAWING TO NEW PRINT	Bill	JY
07-356	07/19/07	D	Add DATE CODE AND BOTH NOTES	Bill	JY
07-244	04/25/07	C	REVISED THE PART:SEE DRAWING	CP	JY
06-566	08/16/06	B	REVISED THE PRINT:SEE DRAWING	CP	JY
06-431	06/16/06	A	CHANGED THE PRINT:SEE VOIC COPY	VF	JY