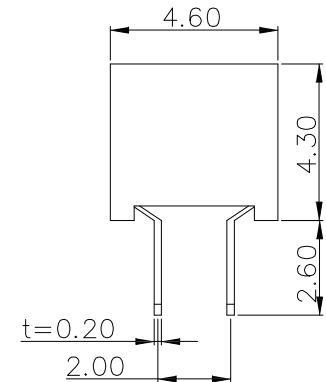
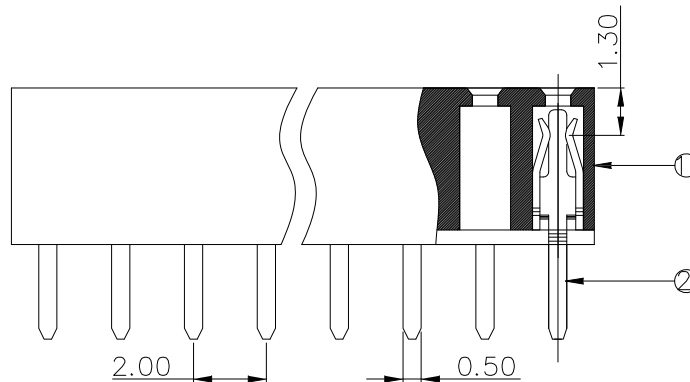


# P.C.B. LAYOUT




NOTES: ALL DIMS ARE IN mm

ITEM	Part name	Material	Description	Q'TY
1	Housing	NY-6T UL94V-0	260°C for 10 Seconds. Initial : 1000MΩ Min. After Test : 500MΩ Min.	1
2	Contact	Bronze C5191	Current Rating : 2.0A Initial : 20mΩ Max. After Test : 40mΩ Max.	XX

Normal Force : 60 gf/per pinmin (before soldering).  
 Temperature Rating : -40°C ~ +125°C.  
 Dielectric Withstanding Voltage : 1000V AC / Min.

RDI PN : 222-XX-PP-N-NL  
 XX= No of contacts : 04-80  
 PP= Plating : 00= Gold flash, 01= Selective gold flash,  
 15= 15μ" gold, 30= 30μ" gold  
 N= NY-6T, UL94V-0

PROJECTION		 <b>Research Develop Innovate</b> RDI, Inc. 333 North Bedford Road, Suite 135, Mount Kisco, NY 10549		
SCALE	N/A	TITLE Pin Header Receptacle, 180°, 2.00mm pitch, RoHS Compliant		
TOLERANCE EXCEPT AS NOTED	DR. Tina	DATE 07/16/19	REF. P/N: 222-XX-PP-N-NL	SHEET 1 OF 1
DEC. MILLIMETERS	CK. BM	PRE-C	DRAWING NO. 4932	SIZE A
0.0±0.30				REV. -
0.00±0.20				
0.000±0.10				
ANG. N/A	THIS DOCUMENT IS OWNED BY, AND THE INFORMATION CONTAINED IN IT IS PROPRIETARY TO, RDI, BY RECEIPT HEREOF THE HOLDER AGREES NOT TO USE THE INFORMATION AND NOT TO DISCLOSE IT TO ANY THIRD PARTY, NOR REPRODUCE THIS DOCUMENT WITHOUT THE WRITTEN CONSENT OF RDI, AND AGREES TO RETURN THIS DOCUMENT FORTHWITH UPON REQUEST.			

ECN#	DATE	SYM	REVISION RECORD	AUTH	BY
------	------	-----	-----------------	------	----