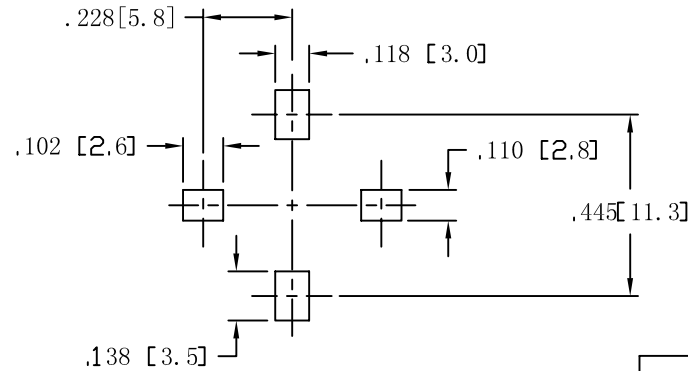
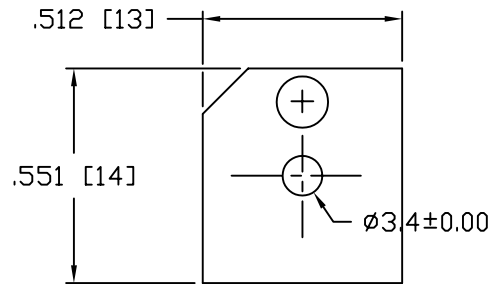
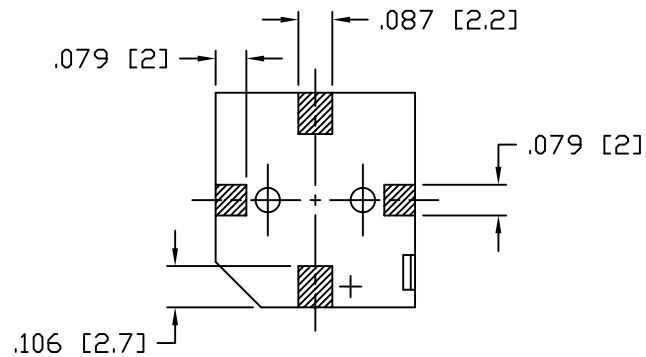
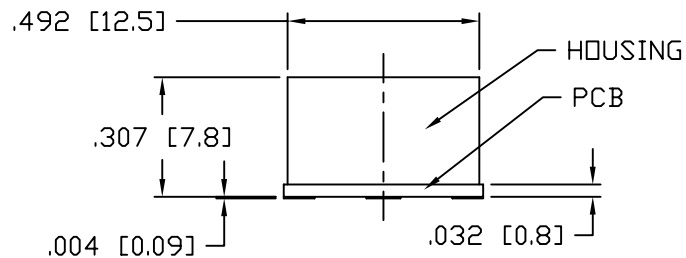


AS PER B.M.
11/11/02



PCB LAYOUT

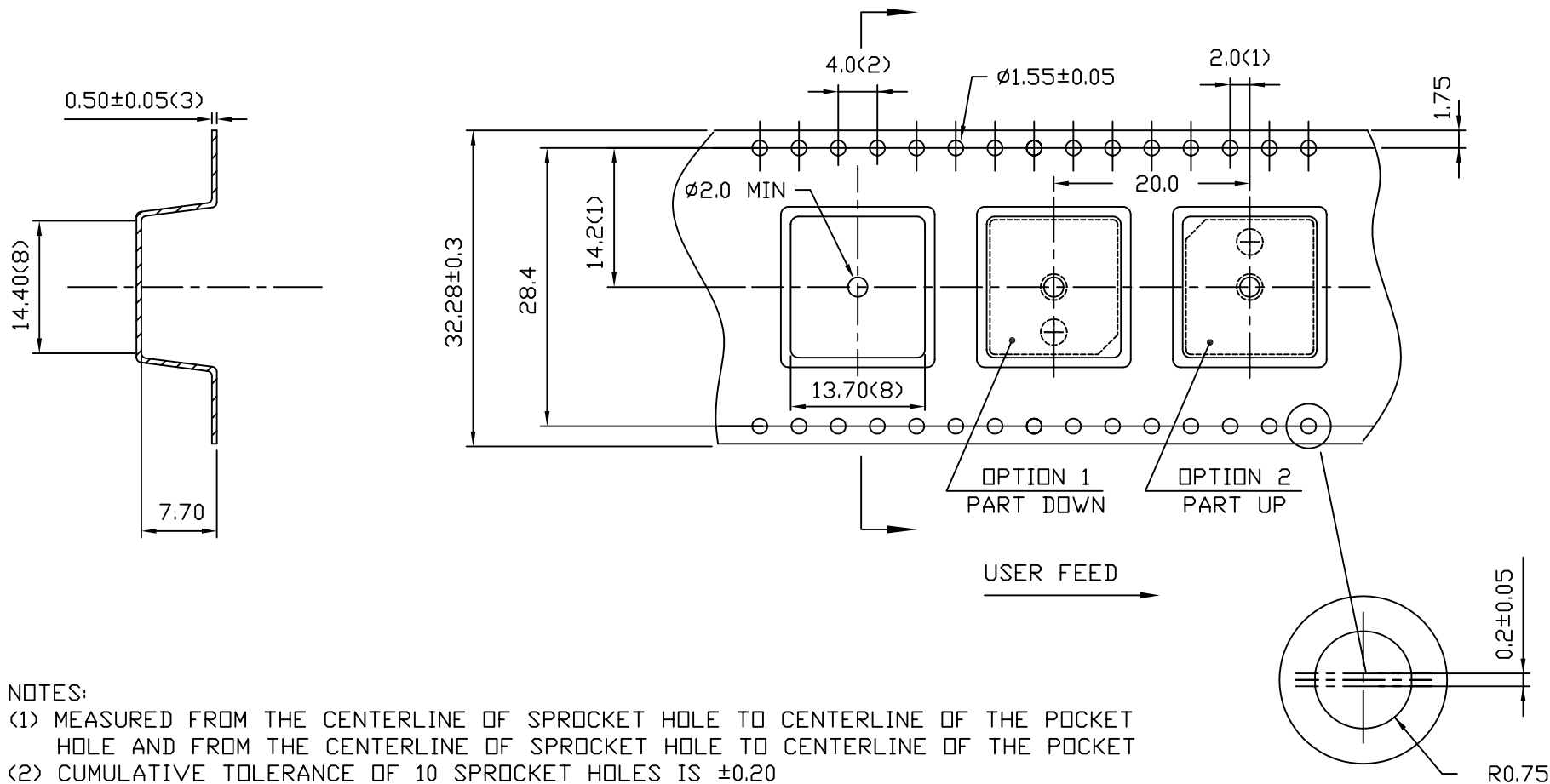


- NOTES:
1. DIMS IN BRACKETS ARE IN MILLIMETERS.
2. FOR TAPE AND REEL DETAIL SEE DWG#BZ-0470-A

Model NO.	DMT-1206-SMT-NL
Min. Sound Pressure Level	85dB at 6.0Vp-p (DC)/10cm, 1/2 duty cycle square wave at 2200Hz.
Operating Voltage	4~8V
Coil Resistance (DC)	47 \pm ohm
Coil Impedance	80ohm
Rated Voltage	6.0Vp-p (DC)
Resonant Frequency	2200 \pm 150Hz
Max. Current Consumption	40mA with 1ohm resistor series, 2200Hz, 1/2 duty cycle, square wave.
Tone	continuous
Operating Temperature	-30 ~ 80°C
Storage Temperature	-30 ~ 80°C
Housing Material	PPS
Weight	1.5g
Polarity	Mark "+" should connect to power supply positive end.


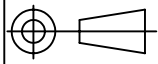
PROJECTION 	Research Develop Innovate RDI, Inc. 400 Columbus Avenue Valhalla, NY 10595		
SCALE 2:1	TITLE BUZZER-RoHS COMPLIANT		
TOLERANCE EXCEPT AS NOTED	DR. JOEY	DATE 5/31/02	REF. P/N: DMT-1206-SMT-NL
DEC. INCHES ± 0.10	CK. SL	PRE- BZ	DRAWING NO. 0728 SIZE A REV. C
DEC. MILLIMETERS [± 0.25]	THIS DOCUMENT IS OWNED BY, AND THE INFORMATION CONTAINED IN IT IS PROPRIETARY TO, RDI. BY RECEIPT HEREOF THE HOLDER AGREES NOT TO USE THE INFORMATION AND NOT TO DISCLOSE IT TO ANY THIRD PARTY, NOR REPRODUCE THIS DOCUMENT WITHOUT THE WRITTEN CONSENT OF RDI, AND AGREES TO RETURN THIS DOCUMENT FORTHWITH UPON REQUEST.		
ANG. $\pm 5^\circ$			

ECN#	DATE	SYM	REVISION RECORD	AUTH	BY
08-031	01/25/08	C	ADDED PCB LAYOUT	BM	JY
05-618	12/05/05	B	DMT-1206-SMT-NL WAS DMT1206-SMT-PPS&CHANGED THE PART TO RoHS COMPLIANT	VF	JY
02-298	7/29/02	A	P/N: DMT1206-SMT-PPS WAS DMT-1206-SMT-TRN & HOUSING MAT'L PPS WAS N 46	BM	SL



NOTES:

- (1) MEASURED FROM THE CENTERLINE OF SPROCKET HOLE TO CENTERLINE OF THE POCKET HOLE AND FROM THE CENTERLINE OF SPROCKET HOLE TO CENTERLINE OF THE POCKET
- (2) CUMULATIVE TOLERANCE OF 10 SPROCKET HOLES IS ±0.20
- (3) THIS THICKNESS IS APPLICABLE AS MEASURED AT THE EDGE OF THE TAPE
- 4. MATERIAL: CONDUCTIVE POLYSTYRENE
- 5. DIM IN MM
- 6. ALLOWABLE CAMBER TO BE 1mm PER 100mm IN LENGTH. NON-CUMULATIVE OVER 250mm
- 7. UNLESS OTHERWISE SPECIFIED, TOLERANCE ±0.10
- (8) MEASUREMENT POINT TO BE 0.3 FROM BOTTOM POCKET
- 9. SURFACE RESISTIVITY LESS THAN OR EQUAL TO 1.0X10E9 OHMS/SQ.
- 10. ALL DIMS ARE GIVEN IN MM.

PROJECTION		 Research Develop Innovate RDI, Inc. 400 Columbus Avenue Valhalla, NY 10595	
	SCALE	TITLE	
	NONE	TAPE AND REEL FOR DMT-1206-SMT SERIES-RoHS COMPLIANT	
TOLERANCE EXCEPT AS NOTED	DR. JOEY	DATE 7/17/01	REF. P/N: DMT-1206-SMT-TR-NL
DEC. INCHES N/A	CK. N.L.	PRE-BZ	DRAWING NO. 0470
		SIZE A	REV. B
DEC. MILLIMETERS SEE NOTE	THIS DOCUMENT IS OWNED BY, AND THE INFORMATION CONTAINED IN IT IS PROPRIETARY TO, RDI. BY RECEIPT HEREOF THE HOLDER AGREES NOT TO USE THE INFORMATION AND NOT TO DISCLOSE IT TO ANY THIRD PARTY, NOR REPRODUCE THIS DOCUMENT WITHOUT THE WRITTEN CONSENT OF RDI, AND AGREES TO RETURN THIS DOCUMENT FORTHWITH UPON REQUEST.		
ANG.	±1°		

ECN#	DATE	SYM	REVISION RECORD	AUTH	BY
05-608	12/02/05	B	CHANGED THE PART TO RoHS COMPLIANT	VF	JY
01-224	7/30/01	A	ADDED OUTLINE OF PART	BM	JOEY